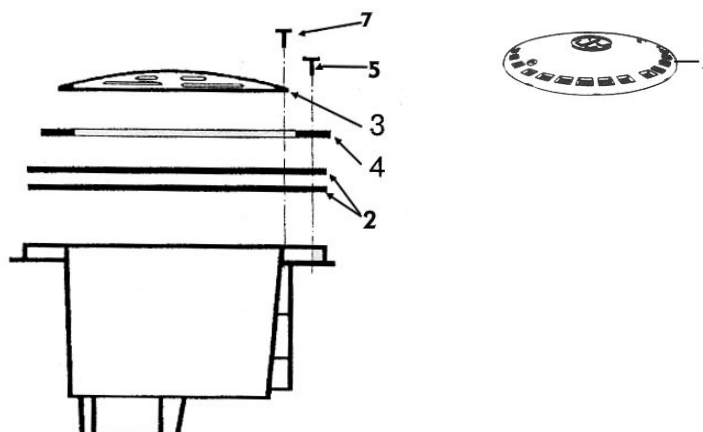
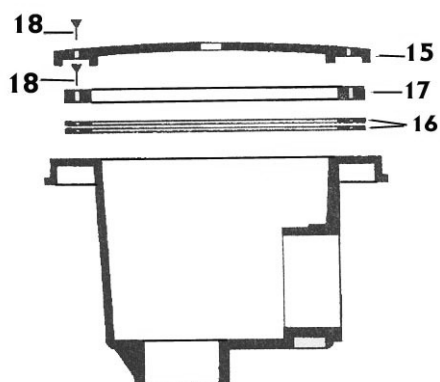


Hayward Main Drains



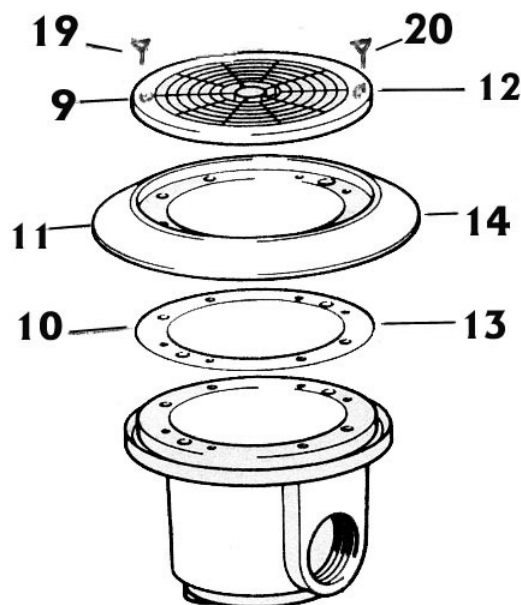
Ref LMP	Item	Description	Manuf Code	Retail Price
HABFD01		Anti vortex plate for main drain	SPX1048E	12,34
HABFD02		Gasket for main drain each	SPX1048D	3,43
HABFD03a		Grate	SPX1048C	No more available
HABFD04		Frame for main drain	SPX1048B	9,95
HABFD05		Screw for frame main drain (8)	SPX1039Z18	6,17
HABFD06		Anti vortex plate screws (2)	SPX1030Z2A	3,09
HABFD07		Grate securing screws (2)	SPX1425Z32	2,86

Cofies Main Drains



Ref LMP	Item	Description	Manuf Code	Retail Price
DVBFD15		Grid ABS Cofies	PDFX9958	6,07
DVBFD16		Adhesive O-ring Cofies (2)	PDFX20050	5,38
DVBFD17		Flange Cofies	PDFX9959	3,61
DVBFD18a		Screws flange (11)	PDFXVS	1,81
DVBFD18b		Screw cover (2)	PDFBXVS	1,04

Weltico Main Drains



Ref LMP	Item	Description	Manuf Code	Retail Price
DVBFD09	9	Grate Weltico	80519	7,30
DVBFD10	10	Gasket Weltico	61039	5,83
DVBFD11	11	Flange Weltico	80521	6,43
DVBFD19a	19	Screw set Weltico liner	61076	4,09
DVBFD19b	19	Screw set Weltico concrete	61077	1,84

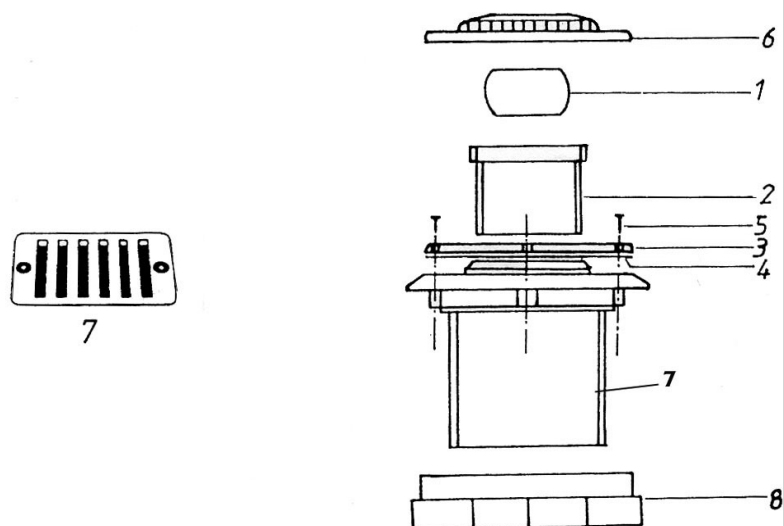
Certikin Main Drains

Ref LMP	Item	Description	Manuf Code	Retail Price
DVBFD12	9	Grate Certikin	SPC266	nc
DVBFD13	13	Gasket Certikin	SPC272	3,79
DVBFD14	14	Flange Certikin	SPC271	nc

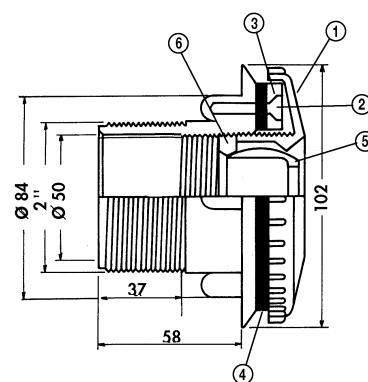
Allfit Lahme Main Drains

Ref LMP	Item	Description	Manuf Code	Retail Price
LMBFD01		Anti vortex cover main drain	2005320	39,20
LMBFD02		Set of screws (long) cover main drain	505201	1,65
LMBFD03		Set of screw (short) cover main drain	505204	1,65
LMBFD04		Seal for liner main drain (pce)	513001	3,21

Hayward Inlets

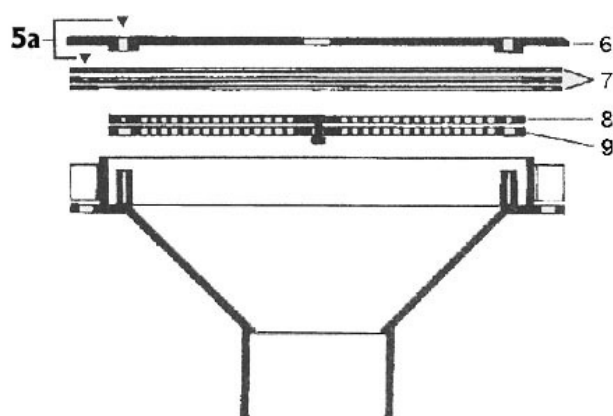


Ref LMP	Item	Description	Manuf Code	Retail Price
HARFT01		Eyeball	See C1419 in our catalog	No more available
HARFT02		Eyeball seat	See C1419 in our catalog	No more available
HARFT03a		Face plate old model (with thread)	SPX1411B	3,43
HARFT03b		Face plate old model (without thread)	SPX1408B	7,89
HARFT03c		Face plate new model	SPX1411BE	6,63
HARFT04a		Gasket old model (each) for 03a	SPX1411Z12	5,71
HARFT04b		Gasket old model (each) for 03b	SPX1408C	4,69
HARFT04c		Gasket new model (each) for 03c	SPX1411Z1	4,34
HARFT05		Set of screws (4)	SPX1411Z1A	5,71
HARFT06		Lock Ring		No more available
HARFT07		Grate with screw		No more available
HARFT08		Locknut spacer 2»	3393	4,10
HARFT10		Joint C1023	SP0023Z1	No more available

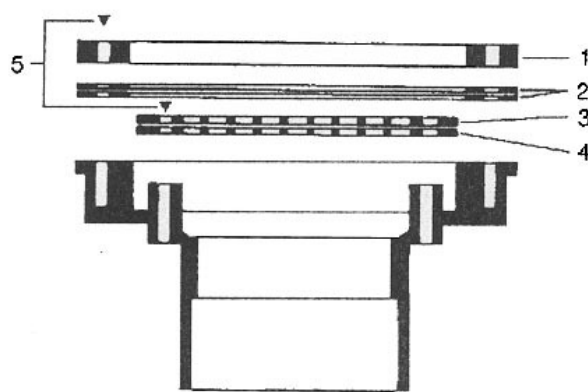


Ref LMP	Item	Description	Manuf Code	Retail Price
HARFN01	1	Cover	ORNX15010	1,95
COLLN16	2	Screw set for vinyl model	ORNXVS	1,73
HARFN03	3	Flange	ORNX15008	1,25
HARFN04	4	Self-adhesive gasket (2)	ORNX15013	2,07
HARFN05A	5	Eye ball Ø 8	ORNX15016	1,26
HARFN05B	5	Eye ball Ø 18	ORNX15018	1,26
HARFN05C	5	Eye ball Ø 22	ORNX15017	0,75
HARFN06	6	Eye ball stop	ORNX15009	0,47

Hayward / Cofies 2" et Ø 90mm Inlets



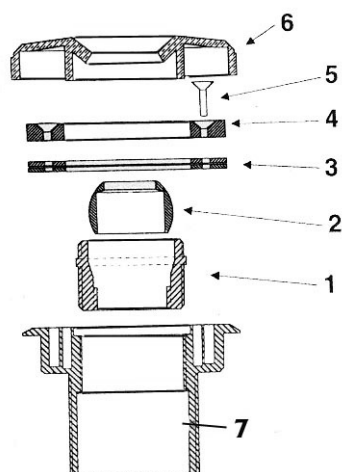
Refoulement Ø 90



Refoulement 2"

Ref LMP	Item	Description	Manuf Code	Retail Price
CORTG01		Flange 2»	BR2X9953	4,88
CORTG02		Adhesive O-ring 2» (2)	BR2X20022	4,74
CORTG03		Fixed grid 2»	BR2X10258	2,72
CORTG04		Mobile grid 2»	BR2X10257	2,95
CORTG05		Screws set 2» (8)	BR2XVS	1,81
CORTG05a		Screws set diam 90 (16)	BR3XVS	0,42
CORTG06		Adjusting collar diam 90	BR3X10223	23,95
CORTG07		Self-adhesive O-ring diam 90	BR3X22101	7,27
CORTG08		Fixed grid diam 90	BR3X9946	9,27
CORTG09		Mobile grid diam 90	BR3X9945	8,90
CORTG10		Flange diam 90	BR3X22090	8,37

P.I.C. Inlets

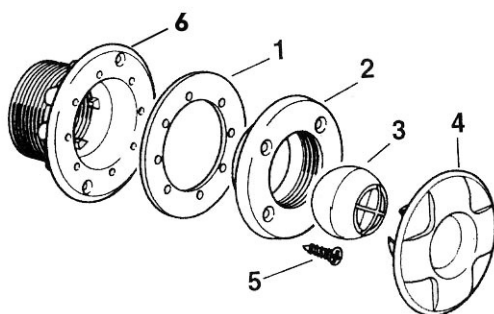


Ref LMP	Item	Description	Manuf Code	Retail Price
LMPIC01		Port rotule		nc
LMPIC02		Rotule	480002042	5,68
LMPIC03		Gasket (2)	420000005	6,67
LMPIC04		Bride	420000001	4,71
LMPIC05		Screw (per 4)	420000003	6,20
LMPIC06		Enjoliveur	480002041	7,22
LMPIC07		Corps		nc
LMPIC08		Return nut	422300001	9,56

Allfit Lahme Inlets

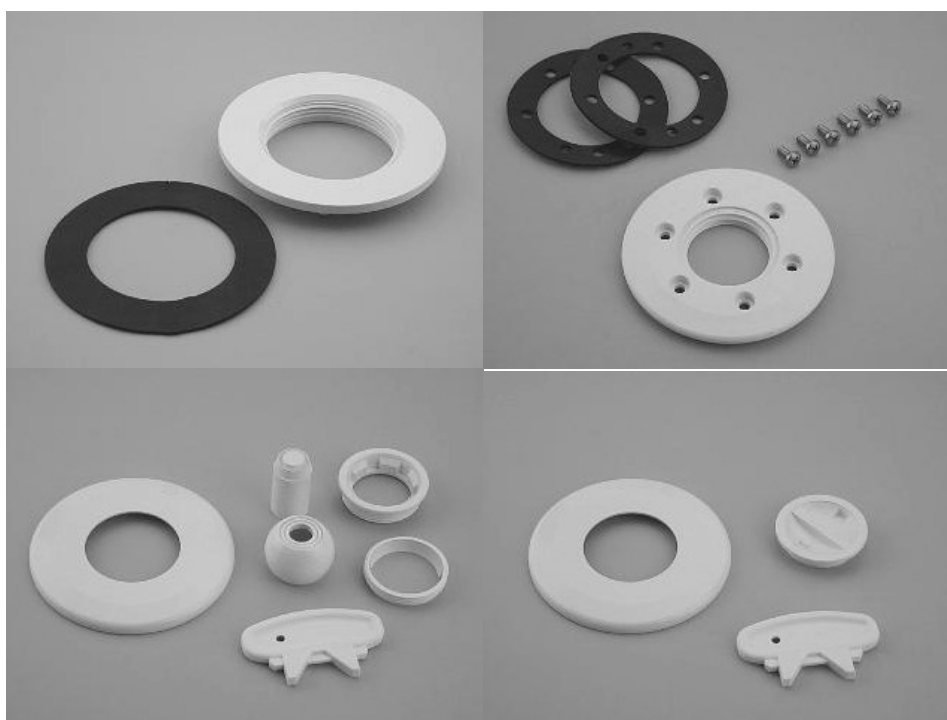
Ref LMP	Item	Description	Manuf Code	Retail Price
LMRFT01		Seal for liner inlet (pce)	513000	3,10

Certikin Inlets



Ref LMP	Item	Description	Manuf Code	Retail Price
CERFT01		Inlet complete Certikin (1 à 6)	HD53L	9,71

Astral Inlets



Ref LMP	Item	Description	Manuf Code	Retail Price
ASRFT01		Fixing nut and gasket	4402041701	5,38
ASRFT02		Ring and gasket for liner	4402041702	10,52
ASRFT03		Multiflow eyeball assembly	4402040301	8,14
ASRFT04		Inlet cover plate + cap	4402040501	3,58