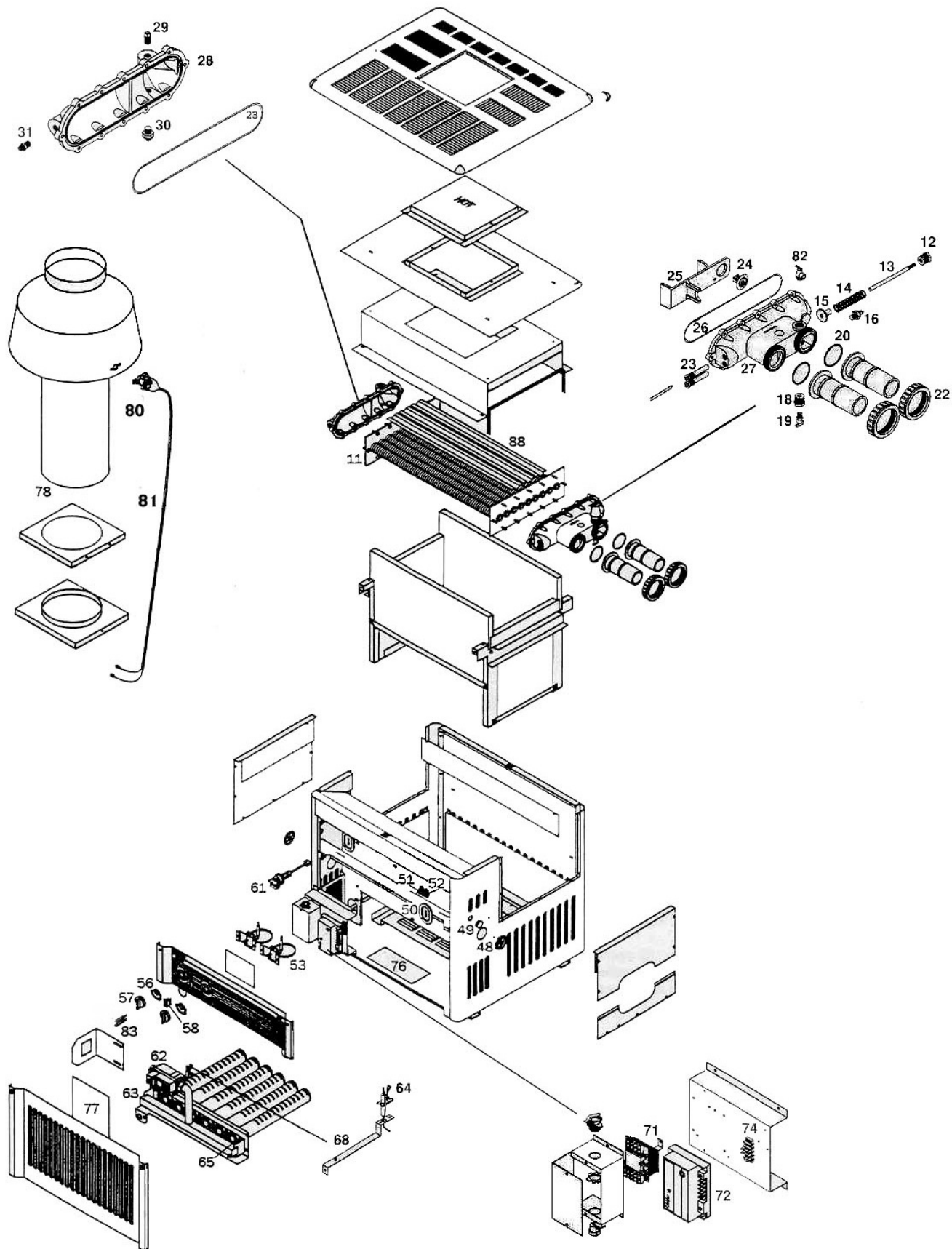


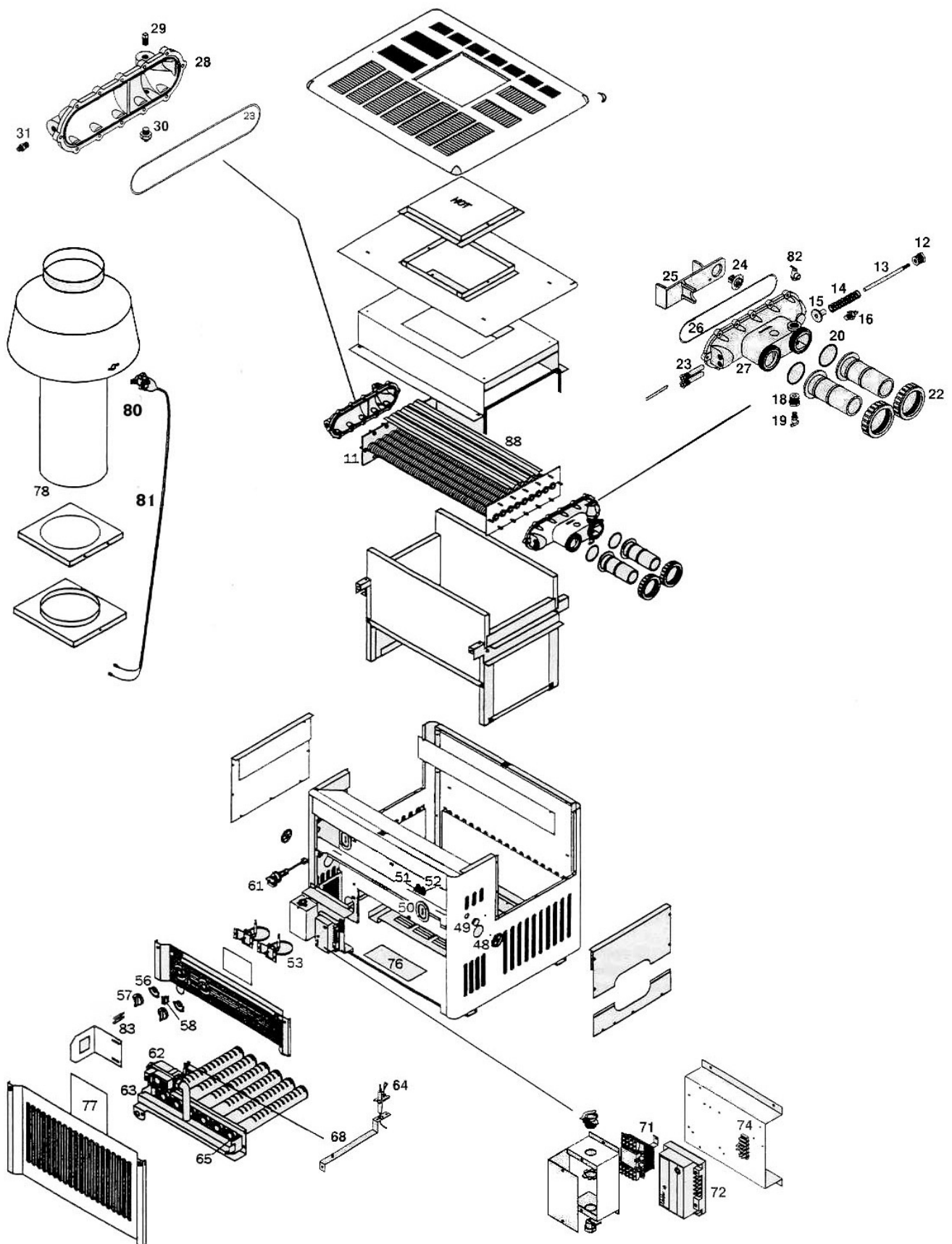
Hayward Gas Heater H-Series



Hayward Gas Heater H-Series

Ref LMP	Item	Description	Manuf Code	Retail Price
HACHH11a	11	Heat exchanger H150 complete	HXEHXA1150	676,87
HACHH11b	11	Heat exchanger H200 complete	HXEHXA1200	713,96
HACHH11c	11	Heat exchanger H250 complete	HXEHXA1250	751,02
HACHH11d	11	Heat exchanger H300 complete	HXEHXA1300	788,11
HACHH12	12	Brass Adaptor	CZHAXADP1930	No more available
HACHH13	13	Brass Shaft	CZHAXSFT1930	7,33
HACHH14	14	Valve Spring	CZHAXVSG1930	No more available
HACHH15	15	By-Pass Valve	No more available	No more available
HACHH25	15	Kit By-Pass Valve	CZHAXBPI1930	No more available
HACHH16	16	High-limit Front header	HAXHLI1930	26,95
HACHH17	17	3/4» NPT Brass Plug	CZCHXPLG1930	8,64
HACHH18	18	Plastic hardware kit	CZHAXPHK1930	9,94
HACHH19	19	Drain Valve & Bushing	CZHAXDRV1930	40,57
HACHH20	20	O-Rings connection	CZHAXFOR1930	10,69
HACHH21		Half union per set	CZHXENIP1930	36,85
HACHH22	22	Union Nuts	CZHAXNUT1930	27,73
HACHH23	23	Bulb Well	CZCHXTBW1930	8,05
HACHH24	24	Flow Control Thermostat	CZHAXFCT1930	38,40
HACHH25	25	Kit By-Pass Valve	CZHAXBPI1930	No more available
HACHH26	26	Header O-Ring	CZHAXHOR1930	7,57
HACHH27	27	Front header only (28-10-00->)	HAXFHA1931	323,15
HACHH28	28	Rear Header Only	CZHAXRHD1930	47,76
HACHH29	29	1/4» NPT Brass Plug	CZHAXPLG1930	2,29
HACHH30	30	High-Limit Rear Header 60 °C	CZHXEHLI1930	29,89
HACHH31	31	Pressure switch adaptor	CZCHXPSA1930	7,68
HACHH48	48	Slit Hole Cover	CZCHXGLC1930	No more available
HACHH49	49	Universal Plug	CZHAXBSH1930	No more available
HACHH50	50	Rubber Grommet	CZHAXRGT1930	3,36
HACHH51	51-52	Limiter Switch kit (manual)	HAXTLK1930	51,25
HACHH53	53	Thermostat	CZCHXTST1930	68,64
HACHH56	56	Thermostat Lock Dial	CZCHXTDL1930	No more available
HACHH57	57	Thermostat Knob	CZCHXTSK1930	3,12
HACHH58	58	Systems Switch	CZCHXTSW1931	14,77
HACHH61	61	Pressure Switch	CZCHXPRS1931	80,05
HACHH62a	62	Gas Valve H150 natural	CZHFXGVN0001	576,51
HACHH62b	62	Gas Valve H200 natural	CZHFXGVN0002	506,19
HACHH62c	62	Gas Valve H250 natural	CZHFXGVN0003	No more available
HACHH62d	62	Gas Valve H300 natural	CZHFXGVN0004	514,11
HACHH62e	62	Gas Valve H150 propan	CZHFXGVP0001	514,11
HACHH62f	62	Gas Valve H200 propan	CZHFXGVP0002	506,19
HACHH62g	62	Gas Vakve H250 propan	CZHFXGVP0003	514,11
HACHH62h	62	Gas Vakve H300 propan	CZHFXGVP0004	506,19
HACHH63a	63	Gas Manifold - H150	CZHAXMAN1150	88,69
HACHH63b	63	Gas Manifold - H200	CZHAXMAN1200	101,05
HACHH63c	63	Gas Manifold - H250	CZHAXMAN1250	123,01

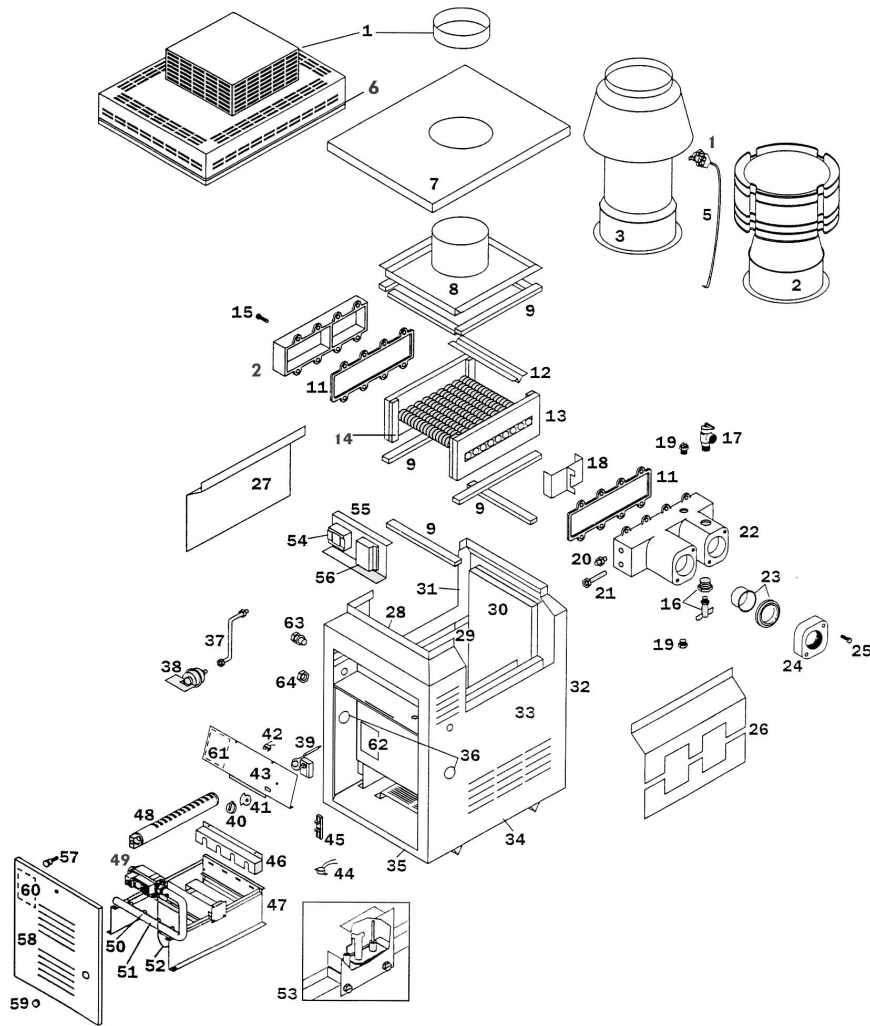
Hayward Gas Heater H-Series



Hayward Gas Heater H-Series

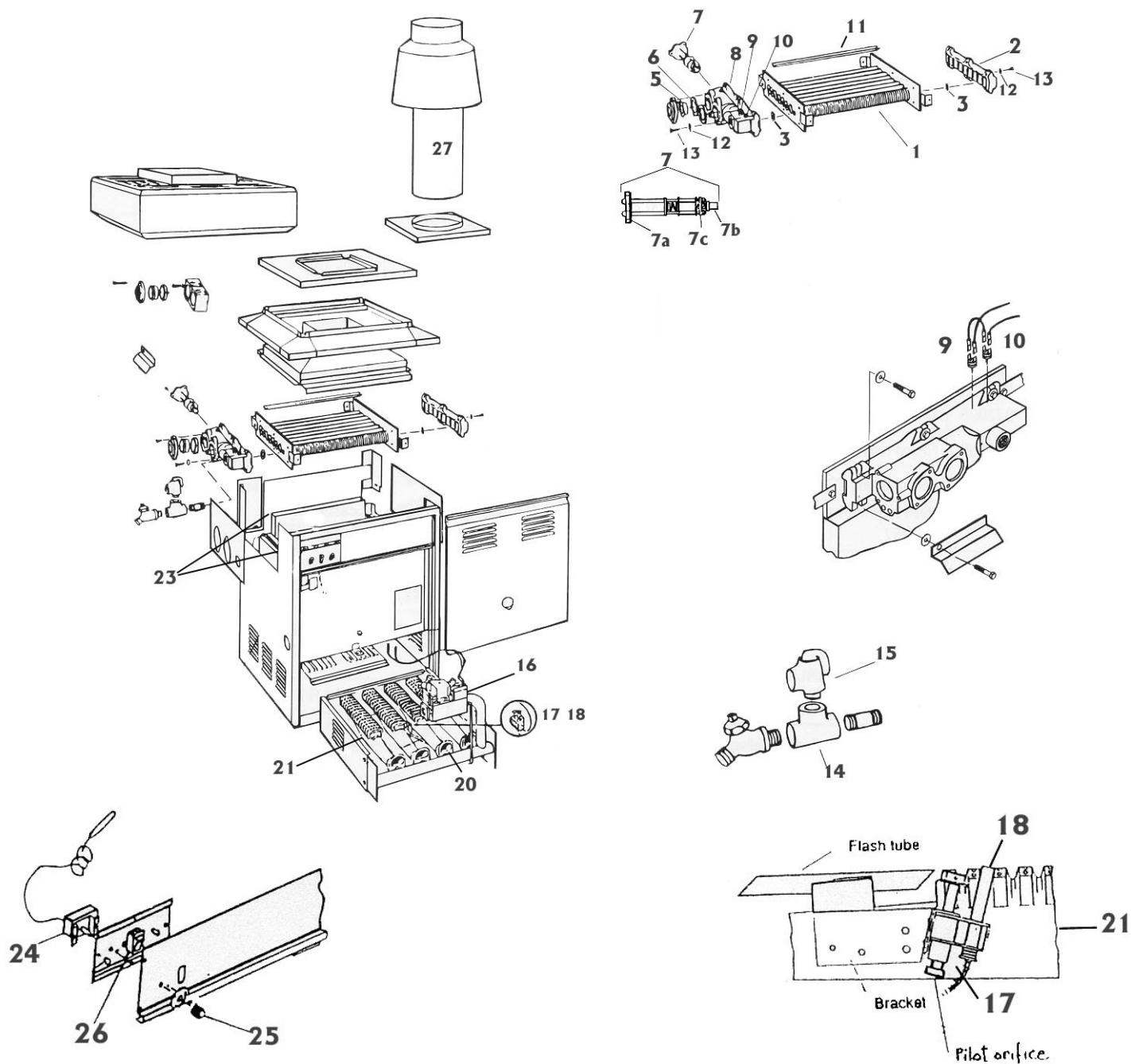
Ref LMP	Item	Description	Manuf Code	Retail Price
HACHH63d	63	Gas Manifold-H300	CZHAXMAN1300	130,69
HACHH64	64	Ignitor	CZHXEIGN1930	80,77
HACHH65a	65	Burner Orifice natural (3,3 mm)	CZHXEBON1930	2,88
HACHH65b	65	Burner Orifice propan	CZHAXBOP1930	2,16
HACHH68	68	Ignitor bracket assembly	CZHAXIBA1930	25,33
HACHH71	71	Transformer	CZCEXTRF1930	269,28
HACHH72	72	Control Module	CZHXAMOD1930	384,74
HACHH74	74	4 - Pole Terminal Bulb	CZHAXTBK1933	14,77
HACHH78a	78	Indoor Draughthood-H150	CZDHI150E	346,98
HACHH78b	78	Indoor Draughthood-H200	CZDHI200E	346,98
HACHH78c	78	Indoor Draughthood-H250	CZDHI250E	381,19
HACHH78d	78	Indoor Draughthood-H300	CZDHI300E	381,19
HACHH80	80	Spill switch	CZCEXSSW1930	13,91
HACHH81	81	DHI wire harness	CZCEXWHA1930	No more available
HACHH82	82	Relief valve	CZCHXRLV1930	80,88
HACHH83	83	yellow LED & green LED	CZHAXLDK1930	17,01
HACHH88a	88	Baffle - H150	CZHXEBFL1150	No more available
HACHH88b	88	Baffle-H200	CZHXEBFL1200*	5,61
HACHH88c	88	Baffle-H250	CZHXEBFL1250	No more available
HACHH88d	88	Baffle-H300	CZHXEBFL1300	8,05
HACHH90		Pressure gauge gas valve mbar	9071393	No more available

Hayward Gas Heater CZ200 Most usual spares



Ref LMP	Item	Description	Manuf Code	Retail Price
HACHZ02	2	Rear header	CZCZRHD1930	No more available
HACHZ11	11	CZ200-Header gasket (set of two)	CZCHXGKT1930	34,32
HACHZ13	13	CZ200-Heat exchanger complete	CZCEXHEX1200	No more available
HACHZ16	16	CZ200-Drain plug	CZCHXDRV1930	No more available
HACHH17		CZ200-Relief valve	CZCHXPLG1930	8,64
HACHH19	17	Drain Valve & Bushing	CZHAXDRV1930	40,57
HACHZ19	19	CZ200-High limit (2) - each	CZCXHLI1930	72,85
HACHH23	21	Bulb Well	CZCHXTBW1930	8,05
HACHZ22	22	CZ200-Front header	CZCXFHD1930	281,90
HACHZ23	23	Seal (set of 2)	CZCXFCG1930	19,09
HACHZ24	24	CZ200-Flange	CZCXFLG1930	No more available
HACHH61	38	Pressure Switch	CZCHXPRS1931	80,05
HACHH53	39	CZ200-Thermostat	CZCHXTST1930	68,64
HACHZ44	44	CZ200-Temp. limit switch	CZCHXTLS1930	11,04
HACHZ48	48	Main burner	CZCHXBNR1930	No more available
HACHZ49	49	CZ200-Gas valve	CZCEXGVU1930	No more available
HACHZ53a	53	CZ200-Pilot assembly (propane)	CZCEXPAP1930	No more available
HACHZ53b	53	CZ200-Pilot assembly (natural)	CZCEXPAN1930	No more available
HACHH71	54	Transformer	CZCEXTRF1930	256,46
HACHZ56	56	CZ200-Ignition module	CZCEXMOD1930	No more available

Purex Heater (As long as the stock lasts)



Ref LMP	Item	Description	Manuf Code	Retail Price
PUCHG01a		Heat exchanger less head C120	73043	437,86
PUCHG01b		Heat exchanger less head C180		481,87
PUCHG01c		Heat exchanger less head C240	73045	568,54
PUCHG01d		Heat exchanger less head C360		685,71
PUCHG02a		Return head		63,18
PUCHG02b		Return head bronze		128,34
PUCHG03		Tube seal gasket	70951	1,05
PUCHG04a		Flange New Model		45,57
PUCHG04b		Flange Old Model *		25,08
PUCHG05		Bushing (new model only)		6,14
PUCHG06a		Gasket New Model		4,23
PUCHG06b		Gasket Old Model *		1,70
PUCHG07		Flow valve ass'y (incl.cover+gasket)		134,84

Purex Heater (As long as the stock lasts)

Ref LMP	Item	Description	Manuf Code	Retail Price
PUCHG07a		Gasket flow valve		1,05
PUCHG07b		Power element Flow Valve		11,88
PUCHG07c		Power element Holder		29,73
PUCHG08		Head main - New Model	70984	320,76
PUCHG09a		Hi Limit 135/120		23,27
PUCHG09b		Hi Limit replace kit (replace old hi-limit)	73102	120,50
PUCHG10		Hi Limit safety shutt off		23,27
PUCHG11		Baffle (7 required, size to specify)		4,19
PUCHG12		Washer 3/8		0,17
PUCHG13		Bolt Flange and return head		0,85
PUCHG14		Te 3/4» Brass		1,61
PUCHG15		Valve Relief		23,78
PUCHG16a		Gas Valve Honeywell NAT (A1716)	75457	322,46
PUCHG16b		Gas Valve Honeywell PROP (A1211)	72119	305,49
PUCHG16c		Gas Valve conversion kit		356,4

Pilot Burner Assembly less Generator:

Ref LMP	Item	Description	Manuf Code	Retail Price
PUCHG17a		with orifice Propane		53,41
PUCHG17b		with orifice Natural		53,41
PUCHG17c		Pilot orifice only NAT New		5,96
PUCHG17d		Pilot orifice only PROP New		5,96
PUCHG17e		Pilot orifice only NAT * Old		5,06
PUCHG17f		Pilot orifice only PROP * Old		5,06

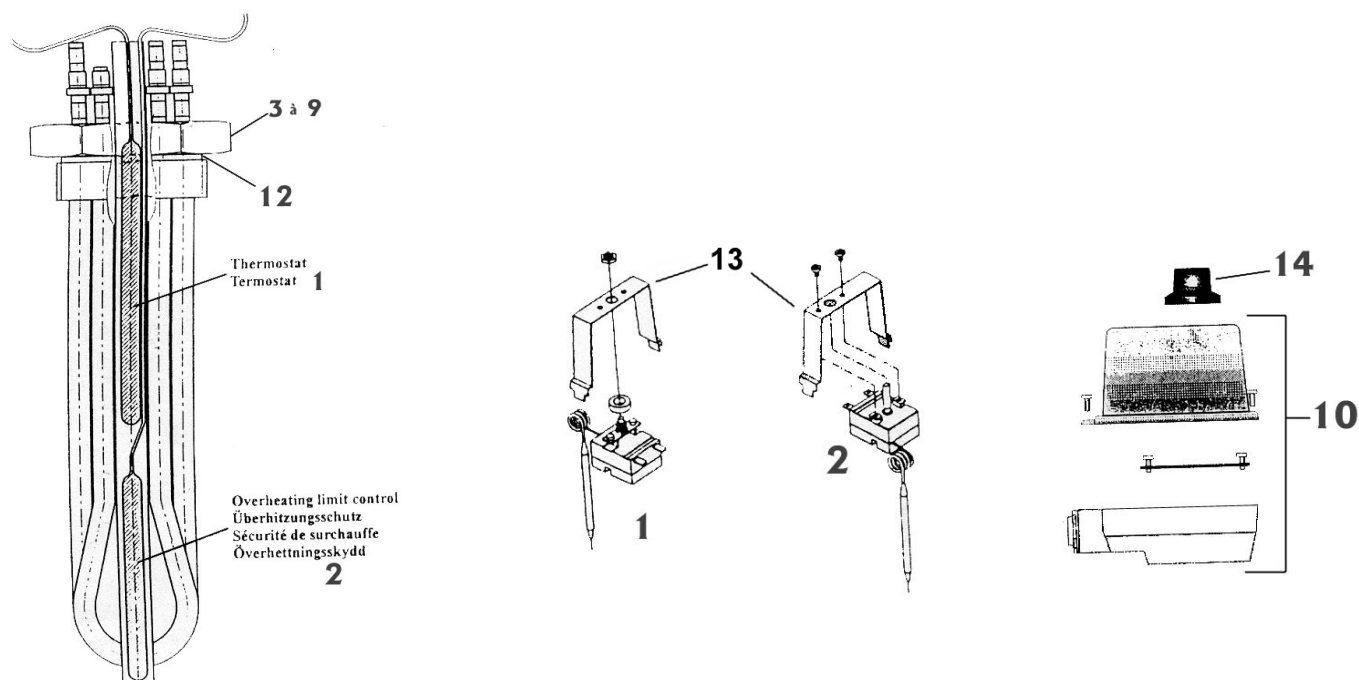
Pilot Generator Wire & Cartridge:

Ref LMP	Item	Description	Manuf Code	Retail Price
PUCHG18		- for Honeywell New	71515	67,89
PUCHG27a		Indoor Stack C120		158,39
PUCHG27b		Indoor Stack C180 & C240		249,56

Pilot Replacement Kit (flash tube assembly with pilot & generator):

Ref LMP	Item	Description	Manuf Code	Retail Price
PUCHG19a		- NAT		91,14
PUCHG19b		- PROP		91,14
PUCHG20a		Orifice Burner NAT.		5,92
PUCHG20b		Orifice Burner PROP.		5,92
PUCHG29		Conversion Kit PROP à NAT		0
PUCHG21		Burner		47,57
PUCHG22		Pressure Switch		53,66
PUCHG23		Insulated Rope		17,23
PUCHG24		Thermostat		97,08
PUCHG25		Thermostat knob		7,93
PUCHG26		Switch ON/OFF		11,88

Pahlens Electric Heater



Ref LMP	Item	Description	Manuf Code	Retail Price
PLCHE01		Thermostat	12843	50,42
PLCHE02		High limit switch	12844	46,96
PLCHE03		Heating element only comp. 3 kW	127144	172,64
PLCHE04		Heating element only comp. 6 kW	127344V400	183,63
PLCHE05		Heating element only comp. 9 kW	127544V400	189,21
PLCHE06		Heating element only 12 kW-2½»	127643	nc
PLCHE06B		Adapter Kit 2 1/2» to 2» for elec. el.	127140	23,19
PLCHE07		Heating element only comp. 12 kW-2»	127644V400	202,64
PLCHE08		Heating element only comp. 15 kW	127754V400	208,04
PLCHE09		Heating element only comp. 18 kW	127854V400	213,62
PLCHE10		Junction box	14700	36,70
PLCHE11		Pressure switch	12856	74,56
PLCHE12a		Gasket 2»	15582	5,58
PLCHE12b		Gasket 2½»	15880	3,84
PLCHE13		Fixing clamps	128482	No more available
PLCHE14		Knob	19991000	5,93
PLCHE15a		Body 3-6 kW	13011	No more available
PLCHE15b		Body 9-18 kW	13012	No more available
PLCHE16a		Electric and heat exchanger mounting trap (each)	147200	6,80
PLCHE16b		Electric and heat exchanger fastening trap (each)	147201	4,88
PLCHE17		Drain plug + o-ring	12859	67,26