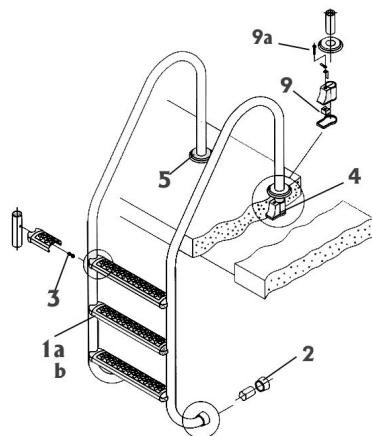
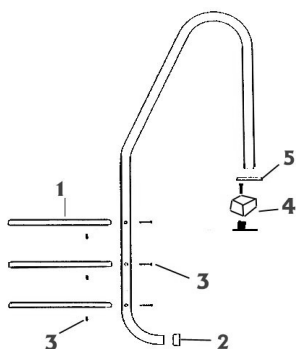


Filinox Ø 43mm Ladder



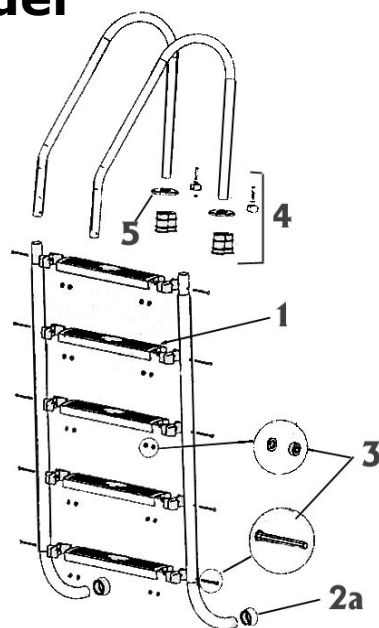
Ref LMP	Item	Description	Manuf Code	Retail Price
FIECH01a	1	Inox tread non-slip ASI 304	87100160	11,75
FIECH01b	1	Plastic tread for A ladder	87100137	8,40
FIECH01c	1	Inox tread non-slip ASI 316	87100897	14,28
FIECH02a	2	Set Rubber (2)	87100236	1,59
FIECH02b	2	Set Rubber for A ladder (2)	87100889	3,64
FIECH03	3	Set Bolt SS (10)	87100251	0,59
FIECH04	4	Set Anchor complete (2)	87100335	5,05
FIECH05	5	Set Escutcheon (2)	87100095	2,32
FIECH08		Platform plastic for a ladder	87100194	25,44
FIECH09	9	Wedge and bolt	03224+00964+00968+0	No more available
FIECH09a	9a	Bolt only	No more available	No more available

Usa Ø 48mm Ladder



Ref LMP	Item	Description	Manuf Code	Retail Price
USECH01a	1	Plastic tread Swan	LTDF-101	17,95
USECH01b	1	Inox tread		29,99
USECH02	2	Rubber (pc)	WRB-100 A	3,34
USECH03	3	Bold and nut		3,81
USECH04c	4	Anchor aluminium	AS-100 A	14,10
USECH05a	5	Escutcheon plastic		14,31
USECH05b	5	Escutcheon stainless steel		15,57

PIC Ø 40 mm Ladder

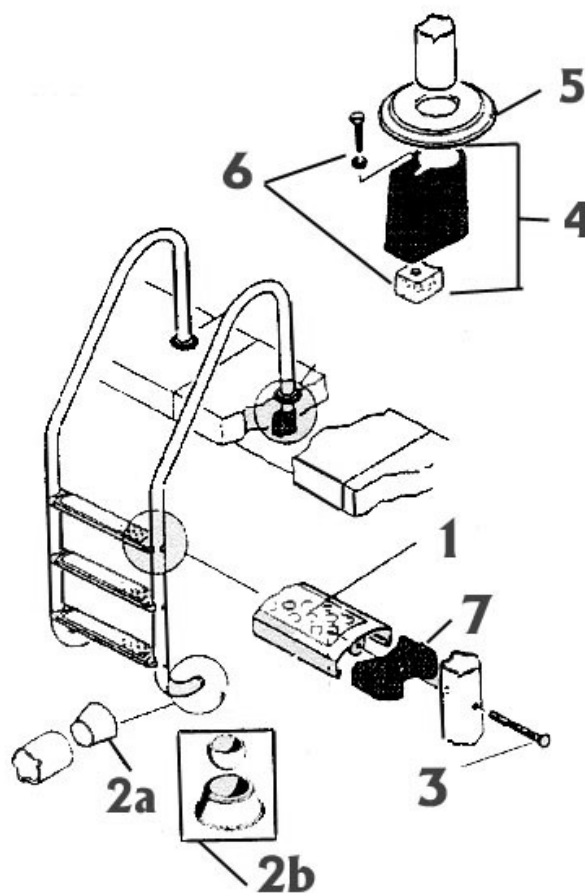


Ref LMP	Item	Description	Manuf Code	Retail Price
PIECH01a		Plastic tread straight (80 mm)	926010	14,85
PIECH01b		Plastic tread inclined (80 mm)	926011	14,25
PIECH01c		Plastic tread str. Large (175 mm)	926020	22,13
PIECH01d		Plastic tread incl. Large (175 mm)	926021	25,16
PIECH01e		Inox tread only	926040	23,34
PIECH01f		PVC end for inox tread /pce	926041	3,98
PIECH02a		Rubber /pce	925010	4,45
PIECH02b		Base rubber alone for A ladder /pce	925012	9,25
PIECH02c		Ball rubber alone for A ladder / pce	925014	4,59
PIECH03a		Screw (6)	926061	7,36
PIECH03b		Nut for dito (6)	926063	3,91
PIECH03c		Washer for dito (6)	926062	3,55
PIECH04a		Anchor alone (2)	925016	10,42
PIECH04b		Nut for dito (2)	925021	8,24
PIECH04c		Screw for dito(2)	925023	2,89
PIECH04d		Washer for dito (2)	925024	1,76
PIECH05a		Escutcheon plastic (2)	925030	10,61
PIECH05b		Escutcheon ss (2)	925035	12,24
PIECH06		Upperplate for A ladder	926030	45,47

Certikin Ø 38 mm Ladder

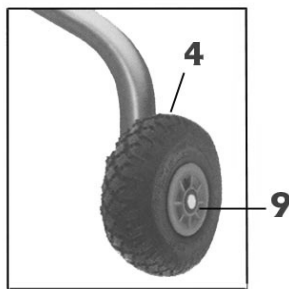
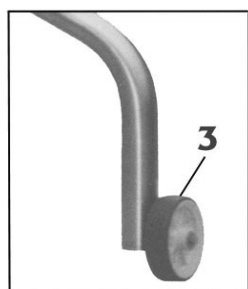
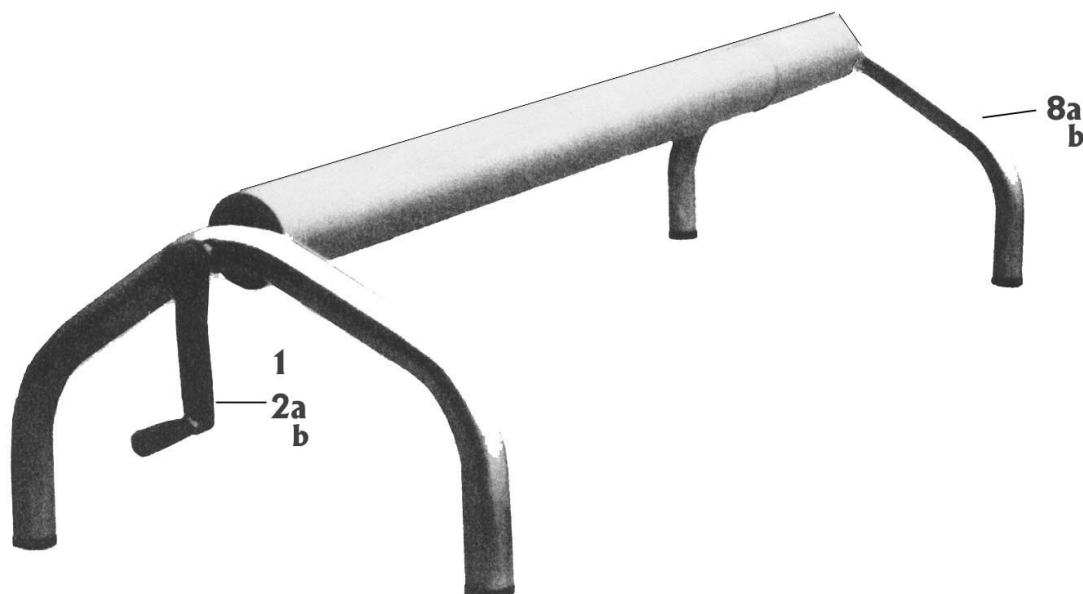
Ref LMP	Item	Description	Manuf Code	Retail Price
CKECH01a		Plastic tread	SPC290	21,05
CKECH02		Rubber pad(2)	SPC295	5,94
CKECH03		Bolt and washer	SPC0322	5,45
CKECH04		Anchor		nc

Astral Ø 43 mm Ladder



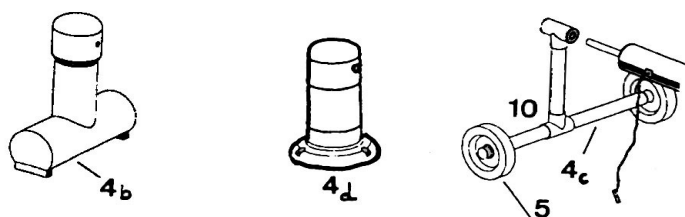
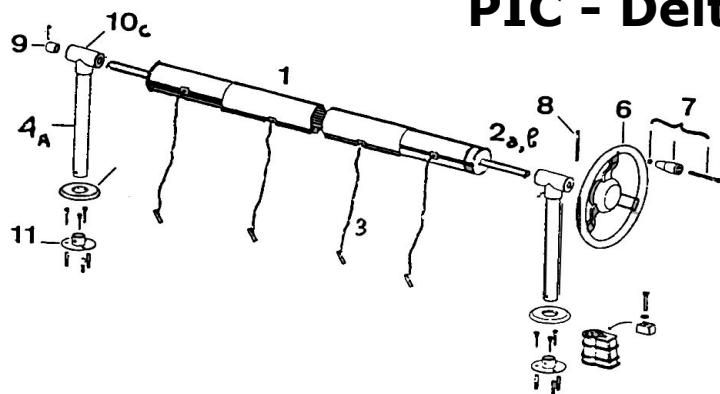
Ref LMP	Item	Description	Manuf Code	Retail Price
ATECH01a		Tread inox	4401010104	97,23
ATECH01b		Plastic tread for «A» ladder	4401010503	57,61
ATECH02a		Rubber (2)	4401010112	5,43
ATECH02b		Rubber pad for above ground ladder	4401010501	28,85
ATECH03		Bolt & nut (4)	4401010110	17,03
ATECH04		Anchor (2)	40272	12,71
ATECH05		Escutcheon (2)	4401010102	23,90
ATECH06		Wedge & bolt (2)	4401090101	11,89
ATECH07		Tread end (black) (2)	4401010106	20,63

AUW Pool Cover Accessories



Ref LMP	Item	Description	Manuf Code	Retail Price
MSERL01	1	Crank Standard		43,55
MSERL02b	2	Crank stainless steel long 320mm		127,02
MSERL03	3	Wheel for tile paving Ø 125 mm set of 2		58,06
MSERL04	4	Wheel for lawn Ø 260 mm set of 2		99,19
MSERL05		Set of 12 rivets		6,05
MSERL06		Shaft end complete (crank side)		89,52
MSERL07		Shaft end complete (no crank side)		50,81
MSERL08a	8	Stand 33 cm for D8510 roller (set of 2)		208,06
MSERL08b	8	Stand 48 cm for D8516 roller (set of 2)		257,66
MSERL08c	8	Stand for D8512 roller tile wheels (set of 2)		266,13
MSERL08d	8	Stand for D8515 roller lawn wheels (set of 2)		300
MSERL09	9	Inner tube for lawn wheel Ø 260 mm		7,62
MSERL10		Plug for stand without wheels (2)		14,52
MSERL11		Price increase to strengthen mechanism		41,13

PIC - Delta Pool Cover Accessories



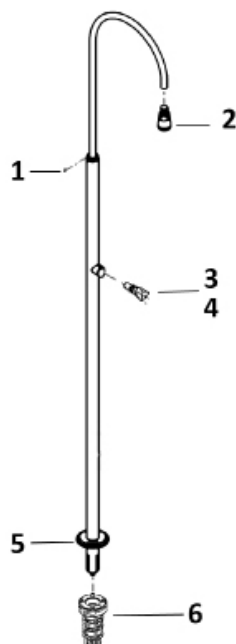
Ref LMP	Item	Description	Manuf Code	Retail Price
PIERL01		Tube Complete		no more available
PIERL02a		Shaft end (G10, Aquaroll, Omega)	1861220	21,38
PIERL02b		Shaft end (Borneo, Roller)	1861221	22,13
PIERL03a		Sandow old model /pce	1869063	4,26
PIERL03b		Sandow new model /pce	1869059	68,37
PIERL04a		Stand G10 each	1868008	45,66
PIERL04b		Stand Plastic Roller wheel side (without wheel)	1863100	109,90
PIERL04c		Stand Aquaroll wheel side (without wheel)	1862008	121,39
PIERL04d		Stand Borneo each	1866010	75,65
PIERL04e		Base for fixed Roller foot	1863110	26,37
PIERL04f		Foot Roller alone, fixed side	1863102	167,19
PIERL04g		Foot Aquaroll, alone, fixed side	1862009	95,05
PIERL04h		Plastic plug D40 Aquaroll/pce	1862110	2,93
PIERL05a		Wheel + cover	1869010	9,40
PIERL05b		Locking clip for dito/pce	1869020	1,47
PIERL06		Crank wheel plastic complete	1869030	23,51
PIERL07a		Handle for crank wheel	1869031	4,13
PIERL07b		Screw for dito	1869032	3,28
PIERL07c		Nut for dito / pce	926053	0,49
PIERL08a		Screw 6 x 100	1869016	2,78
PIERL08b		Nut for dito	1869017	2,09
PIERL09a		Lock ring cover roller	1869034	2,43
PIERL09b		Screw for dito	1869036	1,76
PIERL09c		Nut for dito	1869037	1,60
PIERL10a		Te black plastic		no more available
PIERL10b		Te metal		no more available
PIERL10c		Te with 2 rings 40 x 20		no more available
PIERL11a		Fixing Flange for G 10	921200	142,94
PIERL11b		Flange Escutcheon /pce	1867020	5,02
DLERL05		Plastic ring for cover	2391023	1,79

Starline Roldeck Cover Accessories

Ref LMP	Item	Description	Manuf Code	Retail Price
STROL01A		roldeck motor mts 20/24 V incl. Sensor	BN10290	1951,37
STROL01B		roldeck motor mts 20/24 V incl	BN10291	1951,37
STROL02A		roldeck motor mts 30/24 V incl. sensor	BN10320	2019,19
STROL02B		roldeck motor mts 30/24 V incl begin/end	BN10321	1994,85
STROL03A		roldeck motor mts 60/24 V incl. sensor	BN10350	3832,99
STROL03B		roldeck motor mts 60/24 V incl begin/end	BN10351	3832,99
STROL04		roldeck motor RD 250	BN10360	2158,95
STROL04A		roldeck schaltnock white/green	503042	10,99
STROL05		roldeck RD 1 control unit	BN10075	947,05
STROL06		roldeck RD 2006 control unit	BN10076	1247,63
STROL06A		roldeck programming plug RD2000-RD2006	RDEE10	17,77
STROL07		roldeck antislip-frontside	BN10240	13,06
STROL08		roldeck antislip-backside	BN10241	6,42
STROL09A		roldeck nylon guiding strip 800mm	BN10250	29,24
STROL09B		roldeck nylon guiding strip 1000mm	BN10251	32,89
STROL09C		roldeck nylon guiding strip 1200mm	BN10252	36,57
STROL09D		roldeck nylon guiding strip 1500mm	BN10253	50,99
STROL10		roldeck nosewheelguide	BN10254	174,80
STROL11		roldeck roller guides	BN10255	304,22
STROL12		roldeck guiding bracket for above ground	BN10260	13,23
STROL13		roldeck guiding bracket for inground	BN10261	21,69
STROL14		roldeck stainless steel overflow guide	BN10262	27,05
STROL15A		roldeck key switch	BN10390	204,87
STROL15B		roldeck key switch build-in	BN10391	383,53
STROL16		roldeck resin package	RDBIDC50	76,87
STROL17		roldeck strips /each	RDAS2000.00	9,38
STROL18		roldeck mounting box	BN05641	nc
STROL19		roldeck attach bracket mts/wall		28,10
STROL20A		roldeck end cap white	RDSWEPGL50	0,64
STROL20B		roldeck end cap black	RDSSEPGL55	0,49
STROL21		Lipseal 30x42x10	500243	8,96

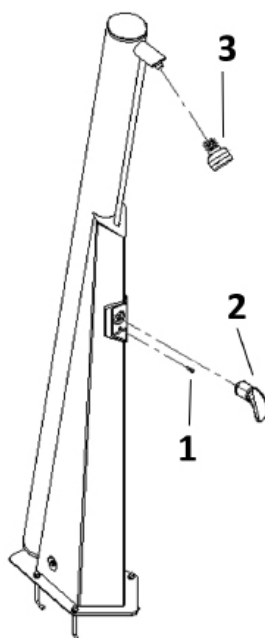
Flexinox Showers

Standard



Ref LMP	Item	Description	Manuf Code	Retail Price
FISHOST01	1	Screw	87100240	0,24
FISHOST02	2	Rose	87100291	13,13
FISHOST03	3	Cartridge stem	87100970	12,06
FISHOST04	4	Shower Tap	87100971	4,14
FISHOST05	5	Escutcheon Ø43mm	87100092	3,62
FISHOST06	6	Anchor Ø43	87100013	20,97

*Cold & hot water
with mixing tap
-
Solar*



Ref LMP	Item	Description	Manuf Code	Retail Price
FISHOCH01	1	Screw	87100242	0,24
FISHOCH02	2	Rose	87100922	36,15
FISHOCH03	3	Mixing tap	87100974	93,78

Giordano Shower



Ref LMP	Item	Description	Manuf Code	Retail Price
GIDOU01		Shower head	260100	18,91
GIDOU02		Cold water valve	431180b	31,16
GIDOU03		Hot water valve	431190b	31,16
GIDOU04		Base	140000	23,59
GIDOU05		Hydrolic kid complete	170562	109,81
GIDOU06		Cover	400430	8,14
GIDOU07		Screw set	470500	3,65
GIDOU08		Soltub 20 lt (2m)	382000	91,82