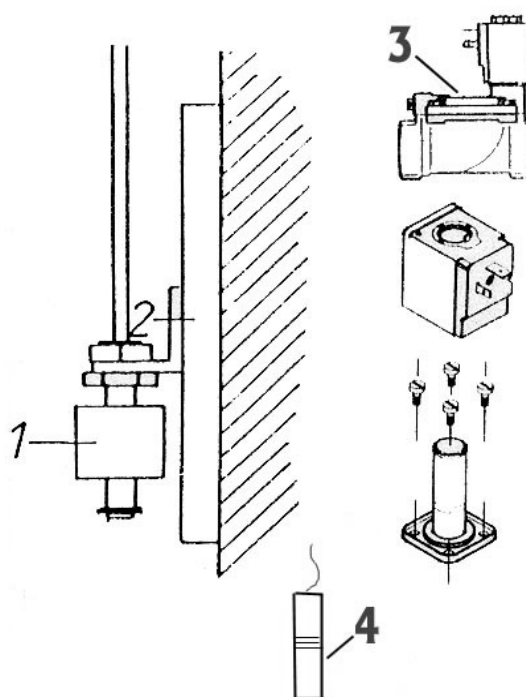
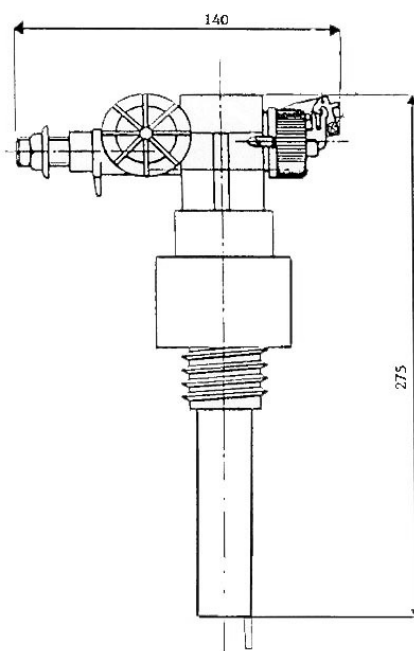


Level Control C2406 (Electronic) - C2407



Ref LMP	Item	Description	Manuf Code	Retail Price
OSMAN01	1	Float sensor (2 wires)	3030000045	111,05
OSMAN02a	2	Float support (2 wires)	2080199500	37,02
OSMAN02b	2	Float support (4 wires)	1200599981	37,02
OSMAN03	3	Solenoid valve complete	1090005804	120,92
OSMAN04	4	Capacitive Sensor (4 wires)	3130000036	153
OSMAN05		Level contr- Solenoid valve Danfoss	75.05.(1034+1134+1017)	199,44
OSMAN06		Housing OSF without valve (4 wires)	3130000071	301,06
OSMAN07		Housing OSF without valve (2 wires)	3130060061	310,94
OSMAN08a		Solenoid for old OSF magnetic valve	1090005811	45,60
OSMAN08b		Solenoid for new OSF magnetic valve	1090005810	83,98
OSMAN09C		Soldenoid for Danfoss magnetic valve	75.05.1134	39,14
DIVERS				
DVDIV17b		Doigt de gant OSF	3200200003	51,82
DVDIV28		Sensor PC 400ES	3100000001	129,63

Level Control C2410 (Mechanical)



Old Model - Weltico

Ref LMP	Item	Description	Manuf Code	Retail Price
LPSKM02		Cover	80176	11,21
LPSKM07		Adjusting collar	80222	13,83
WLMAN02		water level mechanism	62811	19,78
WLMAN03		Membrane	61315	9,67
WLMAN04		Joint for crank	61316	9,52
WLMAN05		Joint + crank	61317	18,31

New Model - Hayward

Ref LMP	Item	Description	Manuf Code	Retail Price
COSKM02		Cover (round)	SKX9411HD	5,90
COSKM07		Adjusting collar	SKX9752	7,99
COWLR03		Tap level regulator complete	RNX743050	23,32
COWLR04		Regulator body only	RNX5501	21,33