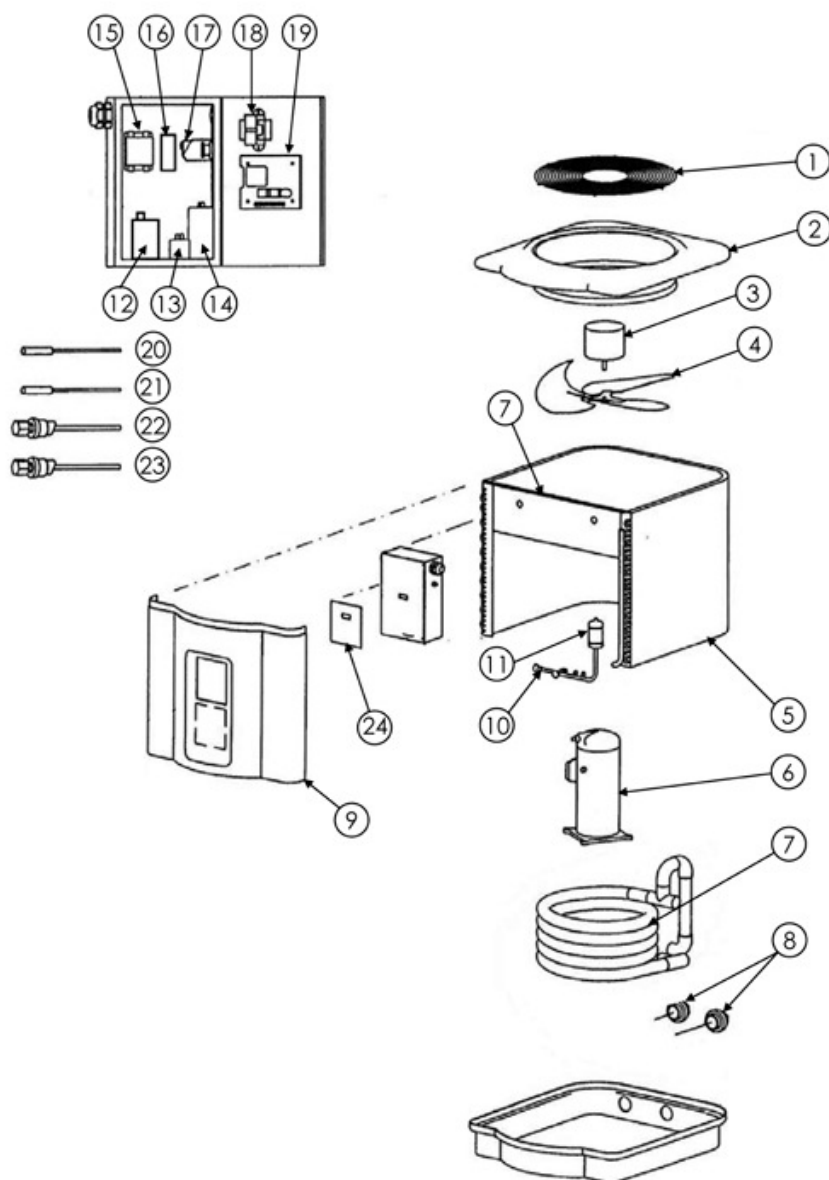


Praher Multiportvalve 3"

Ref LMP	Item	Description	Manuf Code	Retail Price
PRVMP01	1	Handle	100011	3,02
PRVMP02	2	Handle pin	50084	2,13
PRVMG03	3	Cover	100168	16,09
PRVMG04	4	Cover o-ring	50190	6,87
PRVMG05	5	Valve seat gasket	50343	8,09
PRVMG06	6	Key and stem assembly	100178	17,59
PRVMP09	9	Non metallic bearing	100175	0,74
PRVMP10	10	Spring washer	100174	0,63
PRVMP11	11	Spring	50080	3,38
PRVMP12	12	O-ring shaft seal 2» / pce	50040	1,55
PRVMP13A	13	Bottle sight glass only	100172	2,36
PRVMP13B	13	Bottle sight glass gasket	50044	0,75
PRVMP14A	14	Cover screw only	80007	2,13
PRVMP14B	14	Cover nut	80008	0,63

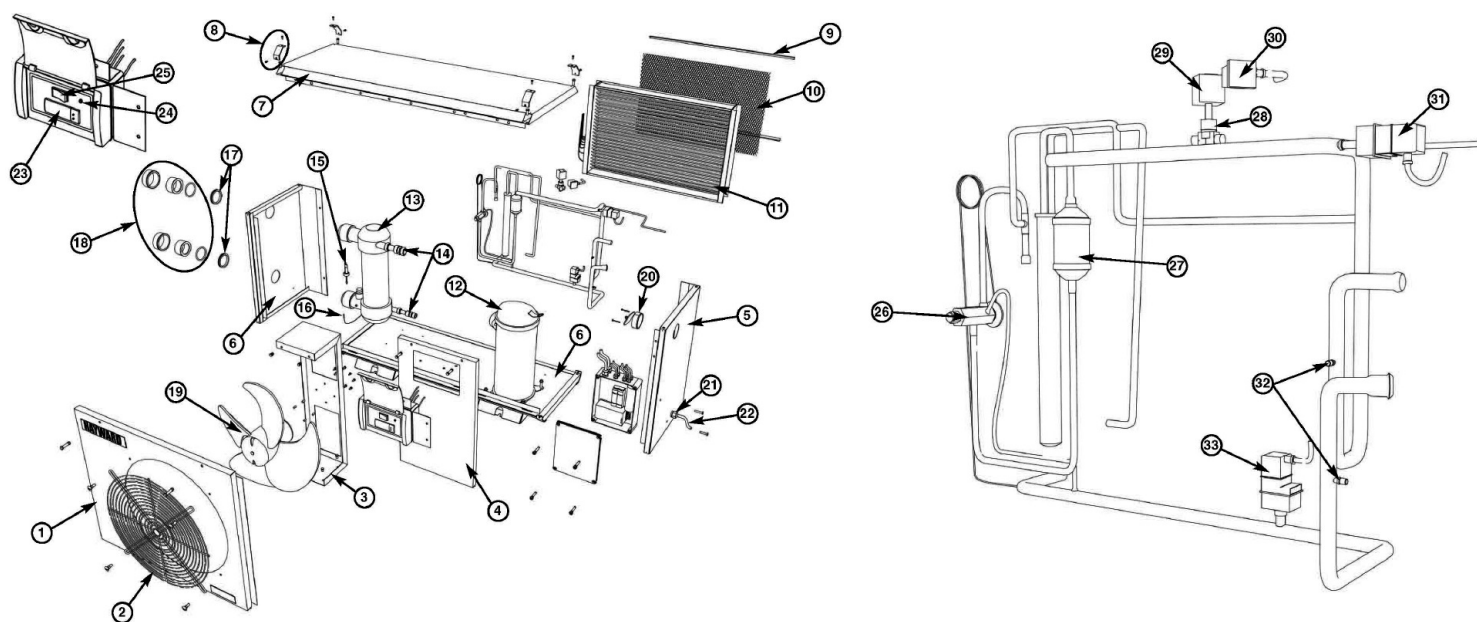
Hayward Heat Pump SumHeat



Hayward Heat Pump SumHeat

Ref LMP	Item	Description	Manuf Code	Retail Price
HAHP SH01	1	24» Motor supporting grid	SMX305000004	94,61
HAHP SH02	2	Mole top panel	SMX309077011	86,99
HAHP SH03	3	Fan motor	SMX300055035	493,11
HAHP SH04A	4	Propeller 22» 14 & 19 Kw	SMX303140002	157,22
HAHP SH04B	4	Propeller 22» 24 Kw	SMX303140003	157,22
HAHP SH05A	5	Evaporator 14 Kw	SMX305077001	806,37
HAHP SH05B	5	Evaporator 19 & 24 Kw	SMX305099001	1224,59
HAHP SH06A	6	mono Compressor 14 Kw	SMX301000001	1406,51
HAHP SH06B	6	mono Compressor 19 Kw	SMX301000004	1282,67
HAHP SH06C	6	tri Compressor 19 Kw	SMX301000003	1638,35
HAHP SH06D	6	tri Compressor 24 Kw	SMX301000002	1779,39
HAHP SH07A	7	Titanium condenser 14 Kw	SMX202150001	1090,98
HAHP SH07B	7	Titanium condenser 19 & 24 Kw	SMX202160001	1200,18
HAHP SH08	8	Union fitting	SMX300055050	81,13
HAHP SH09A	9	Small mole front panel 14 Kw	SMX309077013	74,77
HAHP SH09B	9	Large mole front pane 19 & 24 Kw	SMX309099013	91,39
HAHP SH10A	10	Reducing valve 14 Kw	SMX305077002	256,28
HAHP SH10B	10	Reducing valve 19 & 24 Kw	SMX305050001	263,90
HAHP SH11	11	Drier filter	SMX300055034	69,98
HAHP SH12	12	mono Smart Starter 14 & 19 Kw & HP 17Kw	HPX9035	355,78
HAHP SH13	13	Fan capacity	SMX306050001	22,29
HAHP SH14A	14	mono Compressor capacity 14 Kw	SMX300055003	60,94
HAHP SH14B	14	mono Compressor capacity 19 Kw	SMX306150002	8,21
HAHP SH15A	15	mono Double pole contactor 14 & 19 Kw	SMX306000003	54,74
HAHP SH15B	15	tri Quadrupole contactor 19 et 24 Kw	SMX306000022	130,78
HAHP SH16	16	tri Phase tester 19 & 24 Kw	SMX306000048	311,21
HAHP SH17	17	Flow switch	SMX306000015	47,40
HAHP SH18	18	230V-24V Transformer	SMX306000004	77,70
HAHP SH19	19	Electronic card	SMX11024552	612,84
HAHP SH20	20	Defrosting probe	SMX306000023	15,05
HAHP SH21	21	Water probe	SMX306000024	15,05
HAHP SH22	22	Sensor BP	SMX306000001	29,22
HAHP SH23	23	HP Sensor	SMX306000002	29,22
HAHP SH24	24	Facia self-adhesive	SMX309000026	27,17

Hayward Heat Pump HeatPro

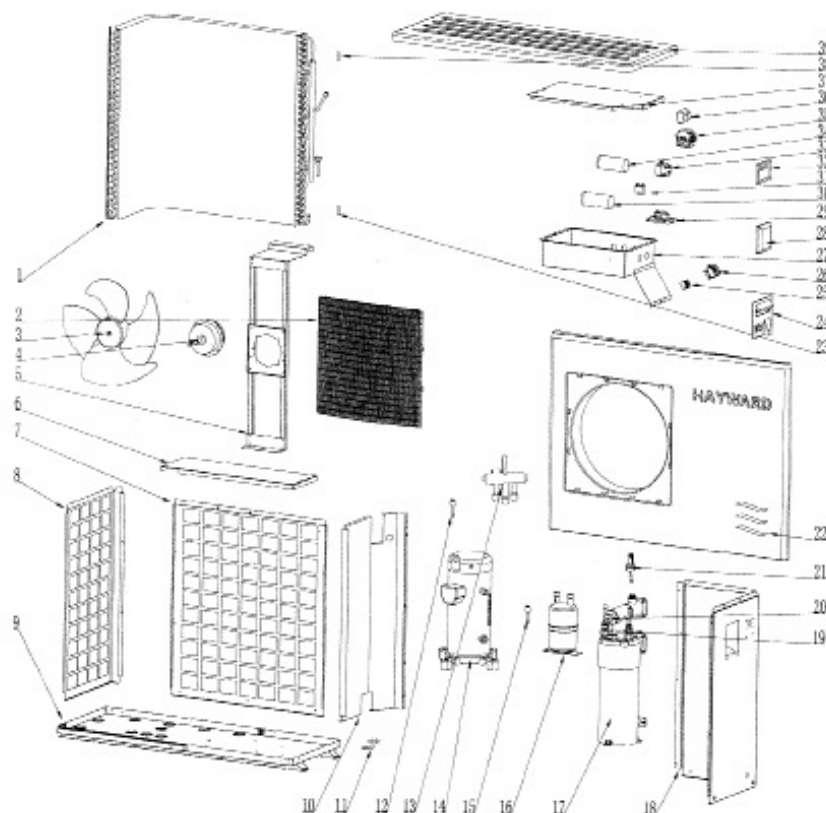


Ref LMP	Item	Description	Manuf Code	Retail Price
HAHPHP01A	1	Left Front Panel 8 Kw & 10 Kw & 13 Kw & 17 Kw	HPX1943	nc
HAHPHP01B	1	Left Front Panel 22 Kw	HPX1951	nc
HAHPHP02	2	Suction Fan Metallic Grid	HPX22636	nc
HAHPHP03A	3	Suction Fan Support 8 Kw & 10 Kw & 13 Kw & 17 Kw	HPX1942	nc
HAHPHP03B	3	Suction Fan Support 22 Kw	HPX1950	nc
HAHPHP04A	4	Right Front Panel 8 Kw & 10 Kw & 13 Kw & 17 Kw	HPX1944	nc
HAHPHP04B	4	Right Front Panel 22 Kw	HPX1952	nc
HAHPHP05A	5	Right Side Panel 8 Kw & 10 Kw & 13 Kw & 17 Kw	HPX1940	nc
HAHPHP05B	5	Right Side Panel 22 Kw	HPX1948	nc
HAHPHP06A	6	Left Side Panel 8 Kw & 10 Kw & 13 Kw & 17 Kw	HPX2218	nc
HAHPHP06B	6	Left Side Panel 22 Kw	HPX1949	nc
HAHPHP07A	7	Bored Upper Panel 8 Kw	HPX1937	nc
HAHPHP07B	7	Bored Upper Panel 10 Kw & 13 Kw & 17 Kw & 22 Kw	HPX1938	nc
HAHPHP08	8	Angle Guard + Screws (X4)	HPX1959	41,28
HAHPHP09	9	Upper Grid Angle Piece	HPX2258	nc
HAHPHP10A	10	Evaporator 60x96 Grid 8 Kw & 10kw & 13 Kw & 17 Kw	HPX2635	nc
HAHPHP10B	10	Evaporator 93x96 Grid 22 Kw	HPX2637	nc
HAHPHP11A	11	Evaporator 8 Kw & 10kw	HPX1010	nc
HAHPHP11B	11	Evaporator 13 Kw	HPX1310	nc
HAHPHP11C	11	Evaporator 17 Kw	HPX1710	nc
HAHPHP11D	11	Evaporator 22 Kw	HPX2210	nc
HAHPHP12A	12	8 Kw (Mono) Compressor <--12/2007	HPX0850m	609,08
HAHPHP12B	12	10 Kw (Mono) Compressor <--12/2007	HPX1050m	664,65
HAHPHP12C	12	13 Kw (Mono) Compressor <--12/2007	HPX1350m	902,04
HAHPHP12D	12	13 Kw (Tri) Compressor <--12/2007	HPX1350t	912,11
HAHPHP12E	12	17 Kw (Tri) Compressor <--12/2007	HPX1750t	953,47
HAHPHP12F	12	22 Kw (Tri) Compressor <--12/2007	HPX2250t	1234,27
HAHPHP12G	12	8 Kw (Mono) Compressor 12/2007-->	HPX0851m	629,46
HAHPHP12H	12	10 Kw (Mono) Compressor 12/2007-->	HPX1051m	805,39
HAHPHP12I	12	13 Kw (Mono) Compressor 12/2007-->	HPX1351m	904,05
HAHPHP12J	12	13 Kw (Tri) Compressor 12/2007-->	HPX1351t	957,41
HAHPHP12K	12	17 Kw (Mono) Compressor 12/2007-->	HPX1751m	1031,18
HAHPHP12L	12	17 Kw (Tri) Compressor 12/2007-->	HPX1751t	1029,90

Hayward Heat Pump HeatPro

Ref LMP	Item	Description	Manuf Code	Retail Price
HAHPHP12M	12	22 Kw (Tri) Compressor 12/2007-->	HPX2251t	1234,27
HAHPHP13A	13	Condenser + Gland Sleeve 8 Kw & 10 Kw & 13 Kw & 17 Kw	HPX1380	708,63
HAHPHP13B	13	Condenser + Gland Sleeve 22 Kw	HPX2280	1098,62
HAHPHP14	14	Gland Sleeve (X2)	HPX1390	87,97
HAHPHP15	15	Flo Switch	hpeswitch	171,05
HAHPHP16	16	Water Temperature Probe	HPX9080	40,32
HAHPHP17	17	Condenser Water I/O Protective Seal	HPX1384	nc
HAHPHP18	18	D50 Union Fitting (X2)	HPX9090	48,87
HAHPHP19	19	Suction Fan	HPX4500	453,03
HAHPHP20	20	High Pressure Manometer	HPX1363	69,47
HAHPHP21	21	Power Cable D16 Gland	HPX1335	12,28
HAHPHP22A	22	Ho7rnf Mono Power Cable 8 Kw & 10 Kw & 13 Kw & 17 Kw (Mono)	HPX9050	40,27
HAHPHP22B	22	Ho7rnf Tri Power Cable 13 Kw & 17 Kw & 22 Kw (Tri)	HPX9060	78,53
HAHPHP23	23	Electronic Regulator	HPX4123	303
HAHPHP24	24	Led Sight Flow Indicator	HPX9037	29,22
HAHPHP25	25	Front Face Switch	HPX9070	5,79
HAHPHP26A	26	8 Kw & 10 Kw (Mono) One-Piece Reducing Valve <--12/2007	HPX8050	97,96
HAHPHP26B	26	13 Kw (Mono & Tri) Complete Reducing Valve <--12/2007	HPX8051	70,67
HAHPHP26C	26	17 Kw (Mono & Tri) Complete Reducing Valve <--12/2007	HPX8052	70,67
HAHPHP26D	26	22 Kw (Tri) Complete Reducing Valve <--12/2007	HPX8053	70,67
HAHPHP26E	26	8 Kw & 10 Kw (Mono) Brazing Pressure Regulator 12/2007-->	HPX81810	117,29
HAHPHP26F	26	13 Kw (Mono & Tri) Brazing Pressure Regulator 12/2007-->	HPX81130	117,29
HAHPHP26G	26	17 Kw (Mono & Tri) Brazing Pressure Regulator 12/2007-->	HPX81170	117,29
HAHPHP26H	26	22 Kw (Tri) Brazing Pressure Regulator 12/2007-->	HPX81220	117,29
HAHPHP27	27	Drier	HPX8010	56,63
HAHPHP28A	28	Defrosting 3/8 Electro-Valve 8 Kw & 10 Kw	HPX8021	105,07
HAHPHP28B	28	Defrosting 1/2 Electro-Valve 13 Kw & 17 Kw & 22 Kw	HPX8020	105,07
HAHPHP29A	29	<--12/2007 Electro-Valve Coil	HPX8022	47,89
HAHPHP29B	29	12/2007--> Electro-Valve Coil	HPX8023	nc
HAHPHP30	30	Plug For Defrosting Electro-Valve	HPX8025	9,29
HAHPHP31A	31	<--12/2007 High Pressure Sensor (28 Bar)	HPX8030	155,04
HAHPHP31B	31	12/2007--> Manual High Pressure Sensor (28 Bar)	HPX8031	65,49
HAHPHP32	32	Schrader Limiting Valve	HPX8040	13,09
HAHPHP33A	33	<--12/2007 Low Pressure Switch	HPX1365	nc
HAHPHP33B	33	12/2007--> Low Pressure Switch	HPX1366	57,67
HAHPHP34A	C1	8 Kw Mono Compressor 40µf Capacitor	HPX40mf	3,42
HAHPHP34B	C1	10 Kw Mono Compressor 70µf Capacitor	HPX70mf	50,34
HAHPHP34C	C1	13 Kw Mono Compressor 60µf Capacitor	HPX60mf	43,29
HAHPHP34D	C1	17 Kw Mono Compressor 55µf Capacitor	HPX55mf	54,74
HAHPHP35	C2,C3	8µf Fan Capacitor	HPX08mf	15,50
HAHPHP36A	Km1	Power Relay 8 Kw & 10 Kw & 13 Kw & 17 Kw (Mono)	HPX9025	26,59
HAHPHP36B	Km1	Power Relay 13 Kw & 17 Kw (Tri)	HPX9026	107,13
HAHPHP36C	Km1	Power Relay 22 Kw (Tri)	HPX9027	121,64
HAHPHP37	Cf	Phase Tester 13 Kw & 17 Kw & 22 Kw (Tri)	HPX9020	283,45
HAHPHP38	Kt1,KT2	Defrosting And Starting Timer =>2008	HPX9030	192,29
HAHPHP39	Kt1'	Defrosting Timer	HPX9032	97,74
HAHPHP40	Kt2'	Starting Timer	HPX9031	109,47
HAHPHP41	Ka1	4-Contact Reverse Current Relay	HPX9029	16,52
HAHPSH12	Acs	mono Smart Starter SH 14 & 19 Kw & HP 17Kw	HPX9035	355,78

Hayward Heat Pump EnergyLine



Ref LMP	Item	Description	Manuf Code	Retail Price
HAHPEL01A	1	Evaporator 6Kw	HWX40001230	nc
HAHPEL01B	1	Evaporator 8Kw	HWX34061204	nc
HAHPEL01C	1	Evaporator 11Kw	HWX34071202	nc
HAHPEL01D	1	Evaporator 15Kw	HWX35121201	nc
HAHPEL02A	2	Suction fan grid 6Kw	HWX35252208	nc
HAHPEL02B	2	Suction fan grid 8, 11, 15Kw	HWX35122213	nc
HAHPEL03	3	Propeller	HWX34012701	17,69
HAHPEL04	4	Fan motor	HWX34013301	154,43
HAHPEL05A	5	Suction fan support 6Kw	HWX35252174	39,29
HAHPEL05B	5	Suction fan support 8, 11Kw	HWX55122169	58,94
HAHPEL05C	5	Suction fan support 15Kw	HWX32092161	nc
HAHPEL06A	6	Upper protection panel 6Kw	HWX35252179	nc
HAHPEL06B	6	Upper protection panel 8, 11Kw	HWX55122172	nc
HAHPEL06C	6	Upper protection panel 15Kw	HWX32092125	nc
HAHPEL07A	7	Back panel 6Kw	HWX32252105	nc
HAHPEL07B	7	Back panel 8, 11Kw	HWX32082131	nc
HAHPEL07C	7	Back panel 15Kw	HWX32092159	nc
HAHPEL08A	8	Left side panel 6Kw	HWX32252105	nc
HAHPEL08B	8	Left side panel 8, 11Kw	HWX32082130	nc
HAHPEL08C	8	Left side panel 15Kw	HWX32092157	nc
HAHPEL09A	9	Chassis 6Kw	HWX32252106	nc
HAHPEL09B	9	Chassis 8, 11Kw	HWX32082128	nc
HAHPEL09C	9	Chassis 15Kw	HWX32092160	nc
HAHPEL10A	10	Centre separation panel 6Kw	HWX35252172	nc
HAHPEL10B	10	Centre separation panel 8, 11Kw	HWX55122167	nc
HAHPEL10C	10	Centre separation panel 15Kw	HWX32092162	nc
HAHPEL11	11	Drain	HWX34002203	4,89
HAHPEL12	12	Hp sensor	HWX20013605	18,57

Hayward Heat Pump EnergyLine

Ref LMP	Item	Description	Manuf Code	Retail Price
HAHPEL13A	13	Reducing valve 6, 8, 11Kw	HWX20011418	80,15
HAHPEL13B	13	Reducing valve 15Kw	HWX20011491	nc
HAHPEL14A	14	Compressor 6Kw	HWX20011118	465,11
HAHPEL14B	14	Compressor 8Kw	HWX20011116	502,00
HAHPEL14C	14	Compressor 11Kw	HWX20011115	723,49
HAHPEL14D	14	Compressor 15Kw	HWX20011169	nc
HAHPEL15	15	lp sensor	HWX20003603	18,57
HAHPEL16	16	15Kw Hydraulic separator	HWX35001401	nc
HAHPEL17A	17	Titanium condenser 6Kw	HWX35251210	768,98
HAHPEL17B	17	Titanium condenser 8Kw	HWX32081205	nc
HAHPEL17C	17	Titanium condenser 11Kw	HWX32121209	nc
HAHPEL17D	17	Titanium condenser 15Kw	HWX32091206	nc
HAHPEL18A	18	right side panel 6Kw	HWX32252121	nc
HAHPEL18B	18	right side panel 8, 11Kw	HWX32082154	nc
HAHPEL18C	18	right side panel 15Kw	HWX32092158	nc
HAHPEL19	19	Water out temperature sensor	HWX20003242	11,73
HAHPEL19	20	Water in temperature sensor	HWX20003242	11,73
HAHPEL21	21	Flow switch	HWX20003605	nc
HAHPEL22A	22	Front panel 6Kw	HWX32252208	nc
HAHPEL22B	22	Front panel 8, 11Kw	HWX32082213	nc
HAHPEL22C	22	Front panel 15Kw	HWX32092207	nc
HAHPEL19	23	Defrosting probe	HWX20003242	11,73
HAHPEL24	24	Connector cover	HWX32082208	nc
HAHPEL25	25	three pole connector 15Kw	HWX20003933	nc
HAHPEL26A	26	Connector 6, 8, 11Kw	HWX40003901	3,42
HAHPEL26B	26	Connector 15Kw	HWX20003920	nc
HAHPEL27A	27	6Kw Electrical box	HWX35252173	nc
HAHPEL27B	27	8, 11Kw Electrical box	HWX55122170	nc
HAHPEL27C	27	15Kw Electrical box	HWX32092121	nc
HAHPEL28	28	Controller trap door	HWX20002111	20,13
HAHPEL29	29	Electronic card	HWX35053113	159,32
HAHPEL30A	30	Compressor capacitor 6Kw	HWX20003504	18,57
HAHPEL30B	30	Compressor capacitor 8Kw	HWX20003505	24,63
HAHPEL30C	30	Compressor capacitor 11, 15Kw	HWX20003510	30,79
HAHPEL31A	31	Fan motor capacitor 6Kw	HWX20003506	3,91
HAHPEL31B	31	Fan motor capacitor 8, 11, 15Kw	HWX20003501	3,91
HAHPEL32	32	Control panel	HWX35053160	nc
HAHPEL33A	33	Power relay 8Kw	HWX20003619	nc
HAHPEL33B	33	Power relay 11Kw	HWX20003614	nc
HAHPEL33C	33	Power relay 15Kw	HWX20002676	nc
HAHPEL34	34	Compressor capacitor 15Kw	HWX20003524	nc
HAHPEL35	35	Ac contactor 15Kw	HWX20003607	nc
HAHPEL36	36	Transformer	HWX20003706	nc
HAHPEL37A	37	Electrical box cover 6Kw	HWX35252198	nc
HAHPEL37B	37	Electrical box cover 8, 11Kw	HWX65122109	nc
HAHPEL37C	37	Electrical box cover 15Kw	HWX32092124	nc
HAHPEL19	38	Environment temperature sensor	HWX20003242	11,73
HAHPEL39A	39	Upper panel 6Kw	HWX32252204	nc
HAHPEL39B	39	Upper panel 8, 11Kw	HWX32082206	nc
HAHPEL39C	39	Upper panel 15Kw	HWX32092208	nc