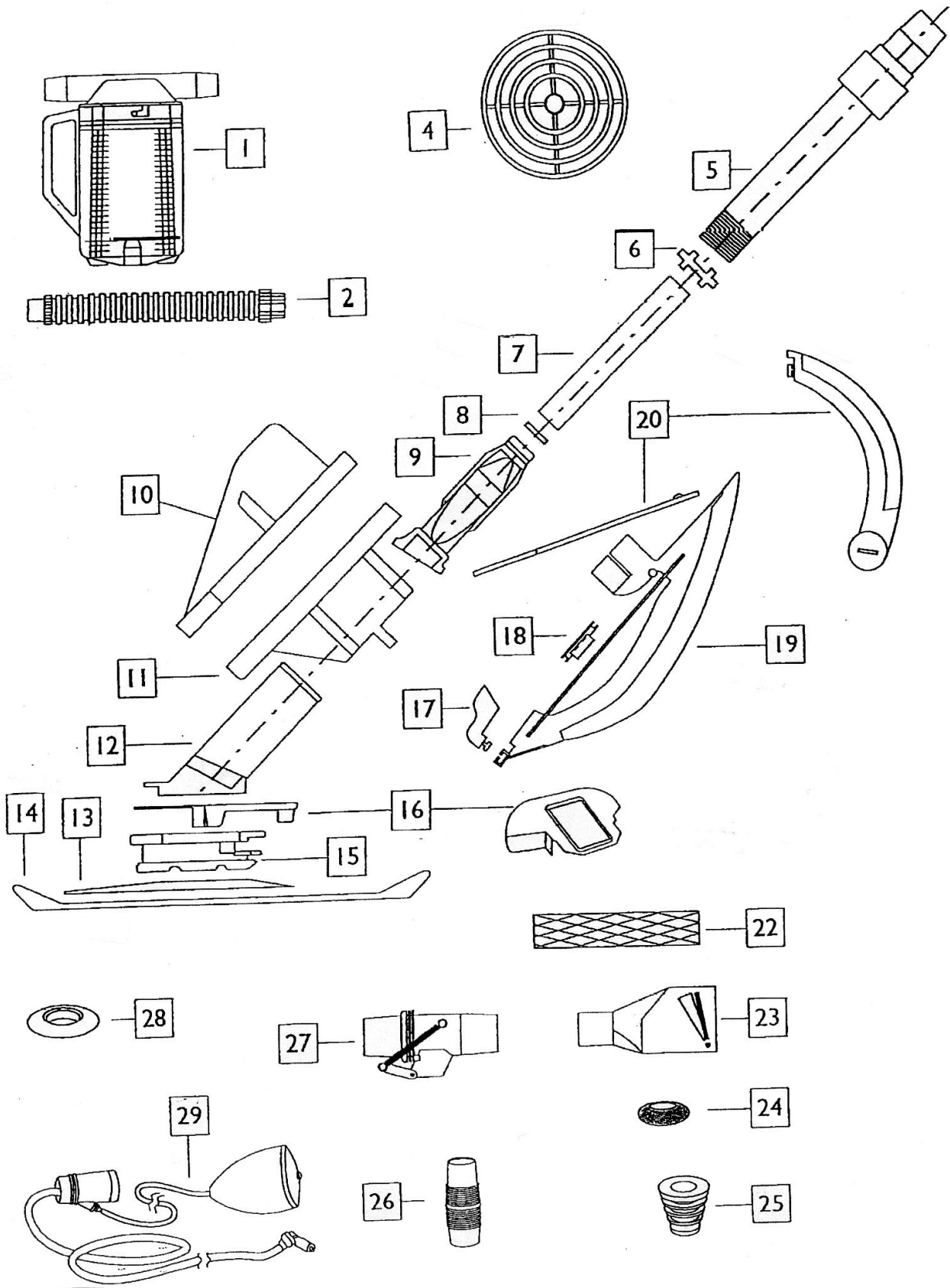
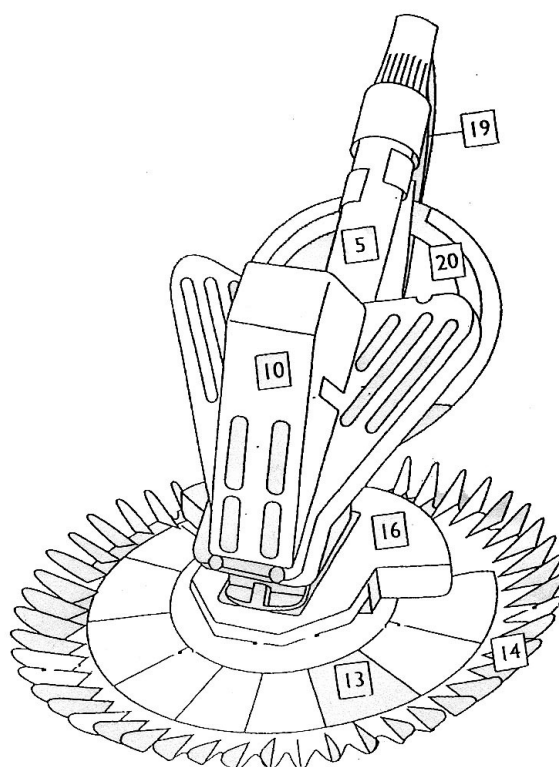


Baracuda Internaut

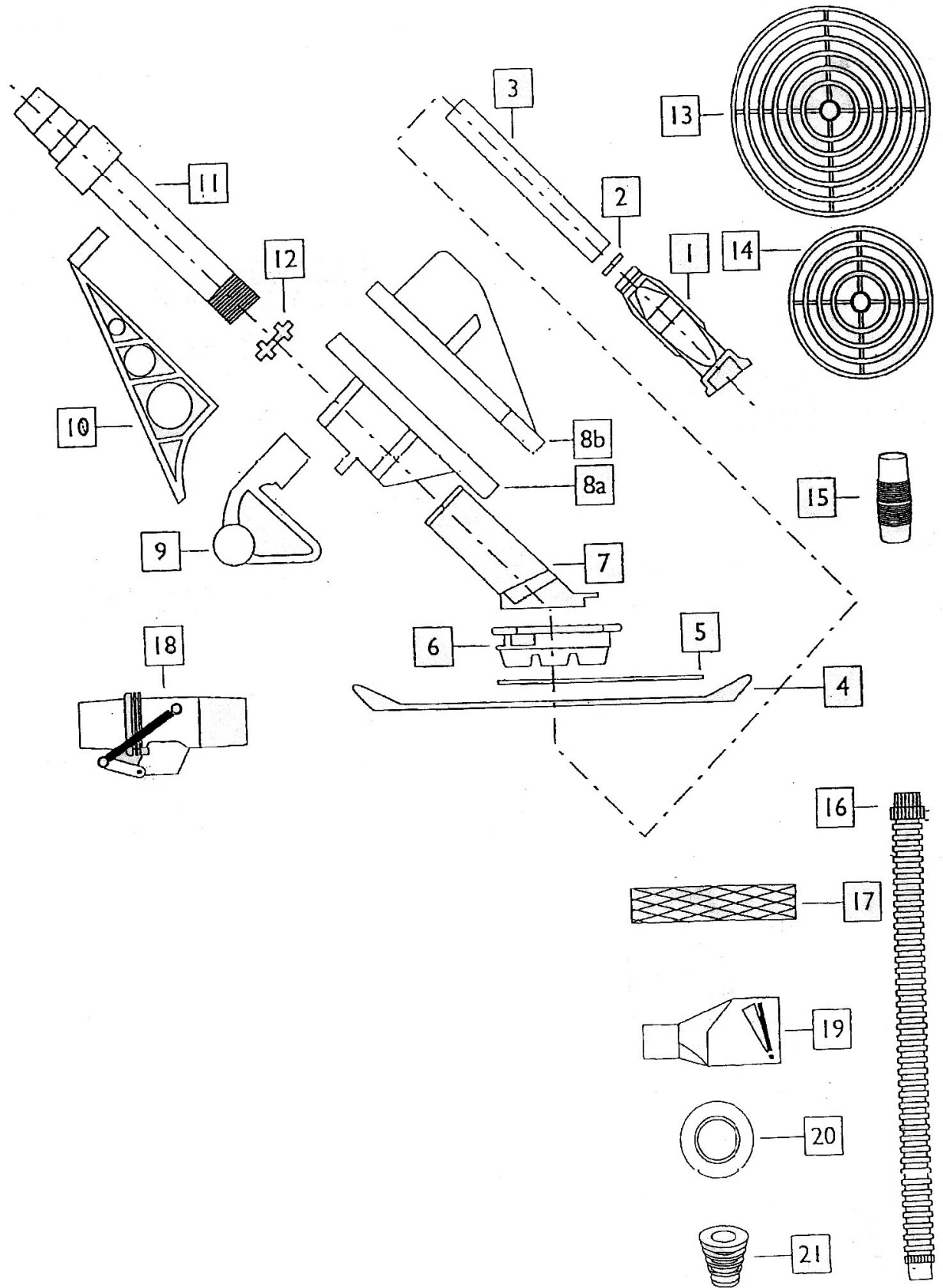


Baracuda Internaut



Ref LMP	Item	Description	Manuf Code	Retail Price
BCROI01	1	Leaf eater only unpacked	W35705	73,01
BCROI02	2	Hose 30cm male/female for leafeater	W69629	7,84
BCROI04	4	Large wheel SG+	W46606P	22,18
BCROI05	5	Swivel pipe assembly	W69293P	107,48
BCROG12	6	Compression ring	W74000P	9,50
BCROG03	7	Inner extension pipe	W56525P	45,60
BCROG02	8	Retaining ring	W81600P	5,73
BCROG01	9	Diaphragm	W69760P	36,17
BCROI10	10	Outer body top Internaut	W51193	20,28
BCROI11	11	Outer body bottom Internaut	W51293	25,16
BCROI12	12	Inner body Internaut	W71093	44,70
BCROI13	13	Top disc Internaut	W49193P	nc
BCROI14	14	Bottom disc Internaut	W48193P	150,57
BCROI15	15	Flexfoot blue Internaut	W72880P	99,22
BCROI16	16	Apron green	W46593P	77,01
BCROI17	17	Outer body bracket	W70600	nc
BCROI18	18+19+20	Wings set pack	W69043P	44,52
BCROG17	22	Hose protection sleeve	W33900P	nc
BCROG19	23	Pool pulse	W44800P	12,3
BCROG20	24	Hose weight	W83352P	14,52
BCROG21	25	Weir adaptor	W69657P	19,83
BCROG15	26	Hose connector	W41710P	8,86
BCROG18	27	Autovalve	W60050	46,70
BCROI28	28+29	Submerger – Sinking hose	W28030	275,32

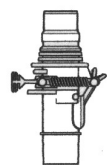
Baracuda Super G+



Baracuda Super G+

Ref LMP	Item	Description	Manuf Code	Retail Price
BCROG01	1	Diaphragm	W69760P	36,17
BCROG02	2	Retaining ring	W81600P	5,73
BCROG03	3	Inner extension pipe	W56525P	45,60
BCROG04	4	Bottom disc SG+	W59917P	154,43
BCROG05	5	Top disc SG+	W59812P	54,38
BCROG06	6	Flexible foot (rubine red)	W72827P	98,28
BCROG07	7	Inner body	W71010	44,70
BCROG08a	8a	Outer body bottom SG+	W52010	60,19
BCROG08b	8b	Outer body top SG+	W51710	57,68
BCROG09	9	Weighted spur SG+	W70110P	84,5
BCROG10	10	Bumper fin SG+	W67910P	24,43
BCROG11	11	Swivel pipe assembly (rubine red/grey)	W70182	110,01
BCROG12	12	Compression ring	W74000P	9,50
BCROG13	13	Large wheel SG+	W45110P	37,13
BCROG14	14	Medium wheel SG+	W45010P	31,50
BCROG15	15	Hose connector	W41710P	8,86
BCROG16	16	Set of 6 grey hoses 1m	W83185	see in our main catalog
BCROG17	17	Hose protection sleeve	W33900P	nc
BCROG18	18	Autovalve – skimmer (grey)	W60050	46,70
BCROG19	19	Pool pulse	W44800P	12,3
BCROG20	20	Hose weight	W83352P	14,52
BCROG21	21	Weir adaptor	W69657P	19,83

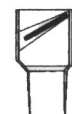
Baracuda G4



18



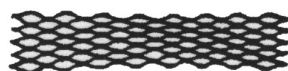
19



20



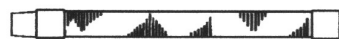
22



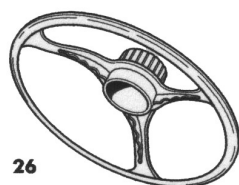
23



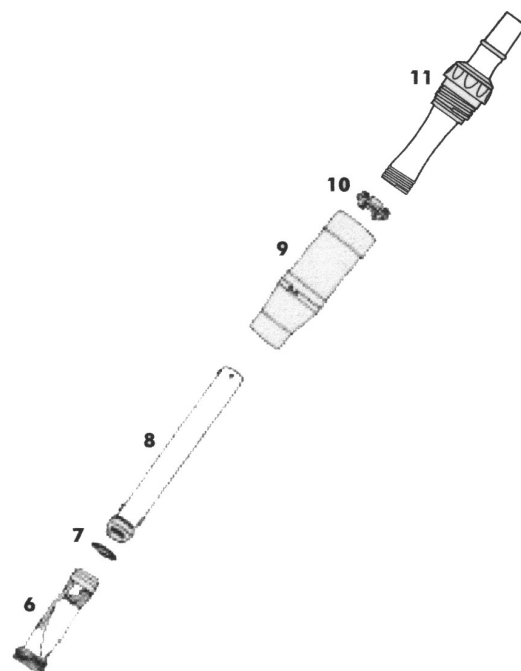
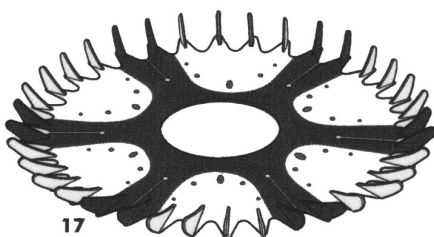
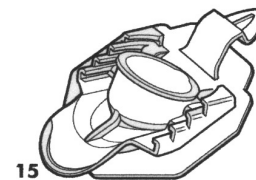
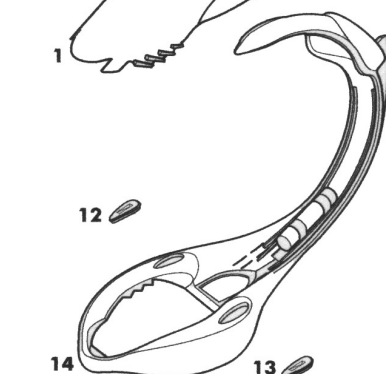
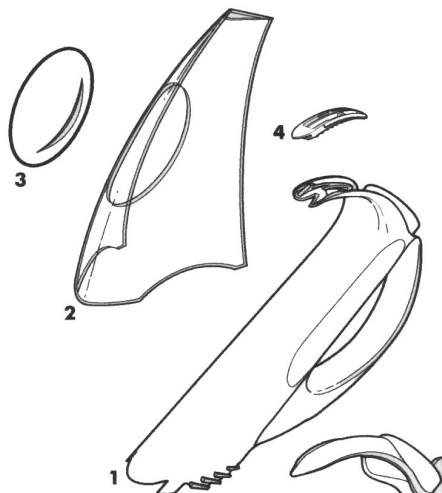
24



25



26



Baracuda G4

Ref LMP	Item	Description	Manuf Code	Retail Price
BCRON01	1	Hull	W83262	134,01
BCRON02	2	Sail	W83261	78,11
BCRON03	3	Buoy	W83268P	14,16
BCRON04	4	Cleat	W83264	25,58
BCRON06	6	Long life diaphragm	W69698P	36,17
BCROG02	7	Retaining ring	W81600P	5,73
BCROG03	8	Inner extension pipe	W56525P	45,60
BCRON09	9	Cassette chambers upper and lower	W83355	22,96
BCROG12	10	Compression ring	W74000P	9,50
BCRON11	11	Cassette outern extension pipe	W83271P	68,64
BCRON12	12+13	Kit Fender left and right	W70145	16,35
BCRON14	14	Fairing with rubber	W83360	136,69
BCRON15	15	Foot flange blue	W83275P	99,43
BCRON16	16	Foot pad support	W83263	54,28
BCRON17	17	Dual durometer disc	W83356P	160,94
BCRON18	18	Flowkeeper valve	W60055P	46,71
BCROG19	20	Pool pulse	W44800P	12,3
BCROG21	22	Weir adaptor	W69657P	19,83
BCROG17	23	Hose protection sleeve	W33900P	nc
BCRON24	24	Hose weight	W83353P	15,21
BCRON25	25	Hose kit 6 x 1 m	W69130	see in our main catalog
BCRON26	26	Wheel deflector	W69720	19,77
BCROI01		Leaf eater only unpacked	W35705	73,01
BCRON27		Hose bag	W70151	67,6