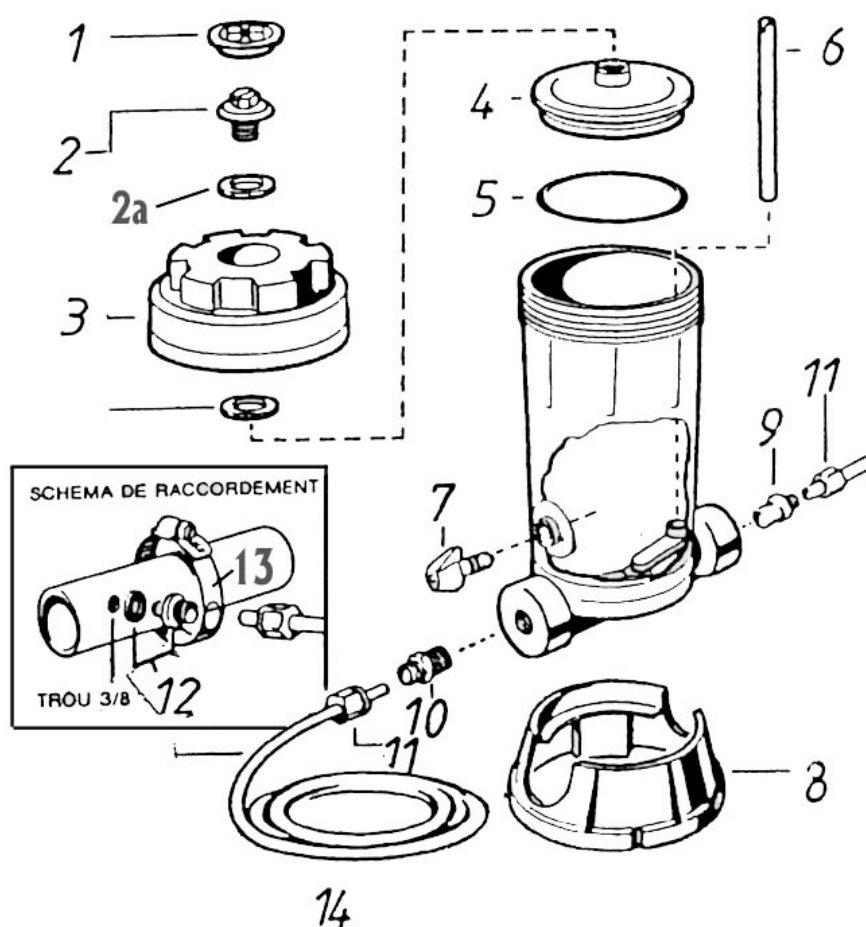
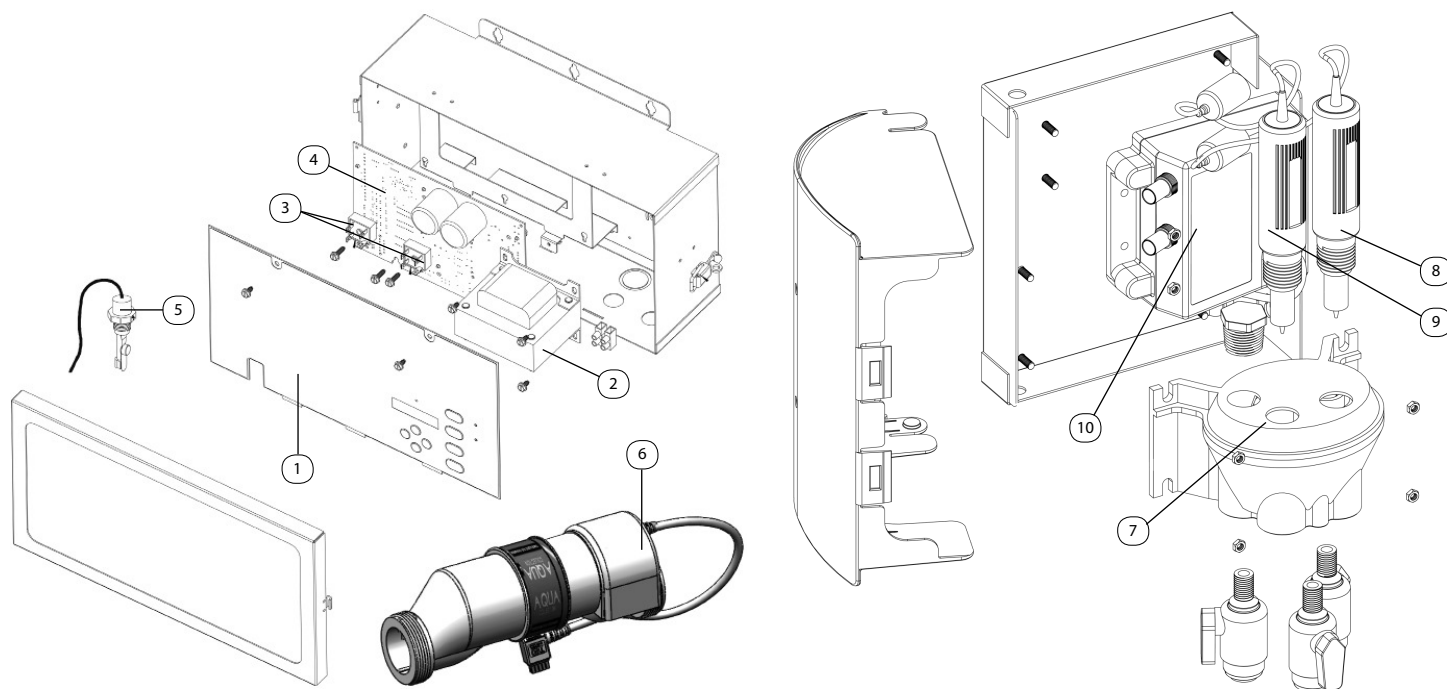


Hayward Chlorinator CL220



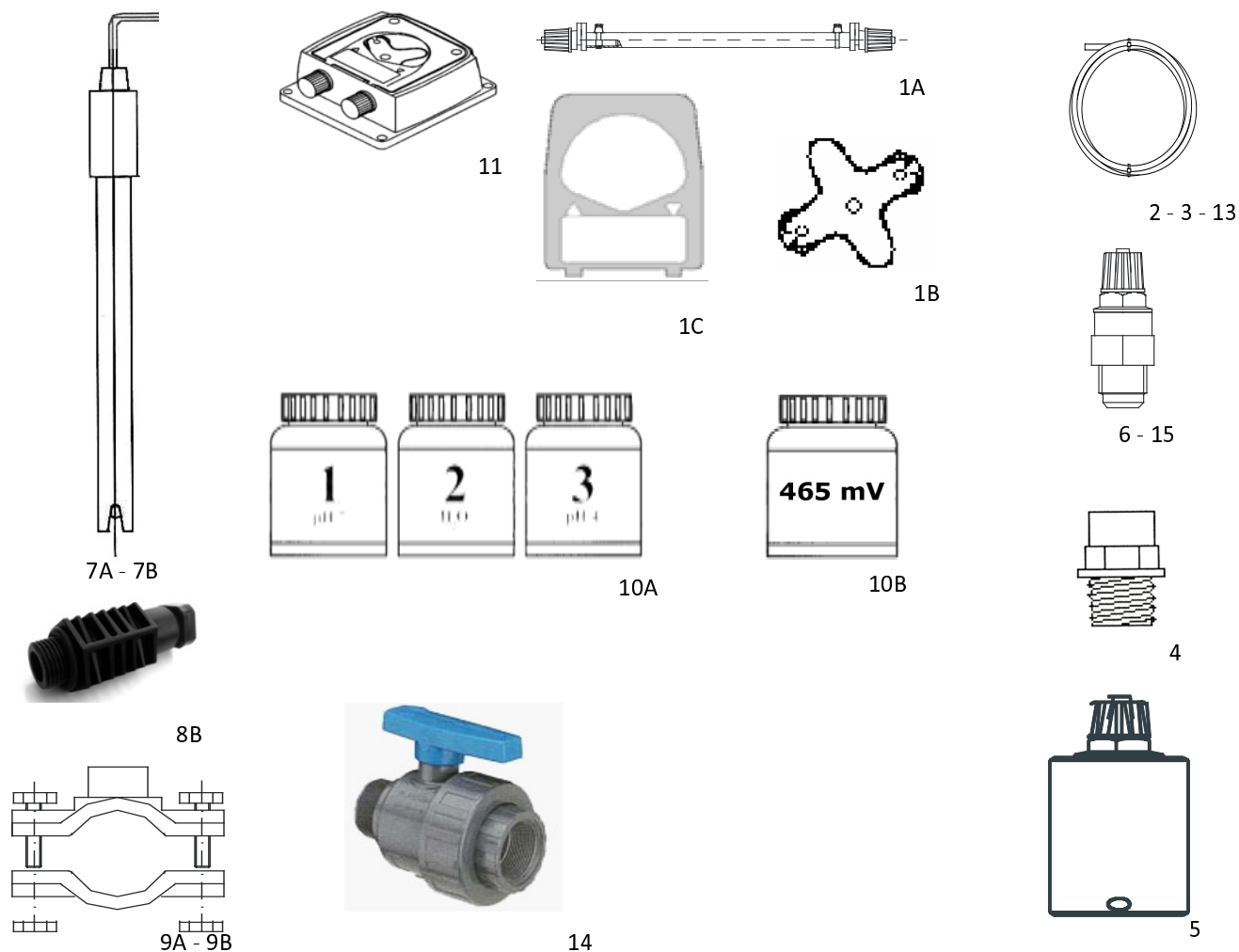
Ref LMP	Item	Description	Manuf Code	Retail Price
HACLO01		Logo cap + cover retaining screw (1+2)	CLX0200EGA	12,00
HACLO02		Cover retaining screw CL 220	CLX0200GA	No more available
HACLO02a		Washers	CLX0200W	nc
HACLO03		Cover cap CL 220	CLX0200C	21,97
HACLO04		Cover CL 220	CLX0200B	14,77
HACLO05		Cover o ring CLX0200K	CLX0200K	24,96
HACLO06		Feeder tube CL 220	CLX0200H	2,40
HACLO07		Control valve assembly CL 220	CLX0200PA	14,40
HACLO08		Mounting base CL 220	CLX0220B	12,00
HACLO09		Check valve assembly	CLX0220EA	15,73
HACLO10		Inlet fitting adapter ¼»	CLX0220P	2,40
HACLO11		Compressing nut CL 220	CLX0220H	2,05
HACLO12		Saddle fitting w/ gasket	CLX0220G	3,12
HACLO13		Saddle clamp CL220	CLX0220K	15,49
HACLO14		Plastic tubing -8 Ft CL 220	CLX0220J	13,81

Hayward Aquarite Pro



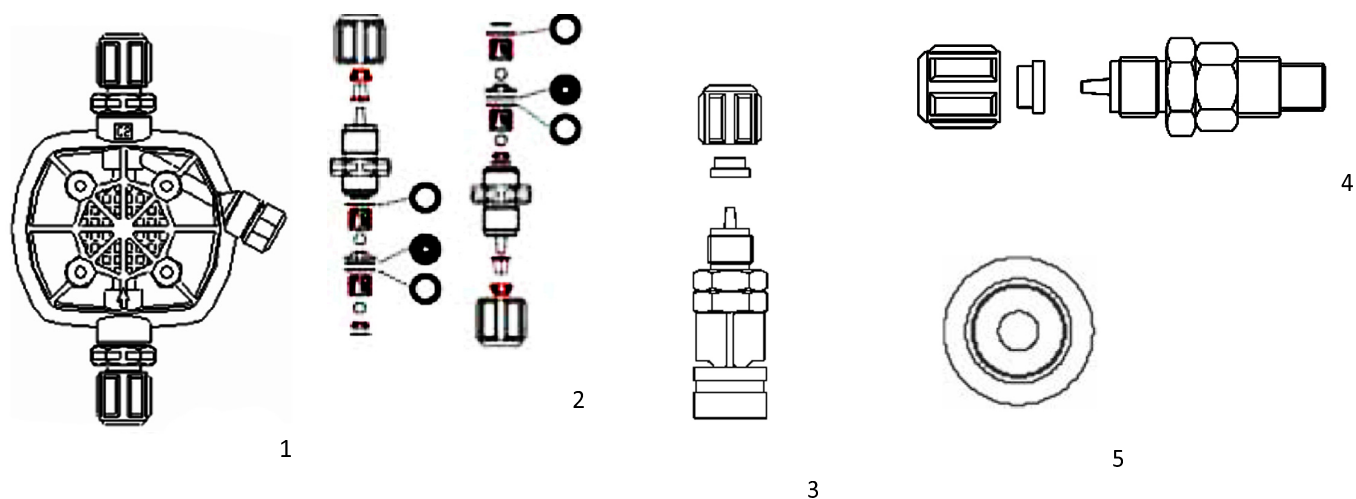
Ref LMP	Item	Description	Manuf Code	Retail Price
HAAQR01	1	Aquarite Pro Dead Front	GLX-ARPRO-MEM-E	371,42
HAAQR02	2	Transformer	GlX-Xfmr-E	326,07
HAAQR03	3	Bridge Rectifier	GlX-R-10pk	59,33
HAAQR04	4	Main Board	GLX-PCB-ARPRO-E	681,75
HAAQR05	5	Flow Switch	GlX-Flo-Rp	111,43
HAAQR06A	6	Turbo Cell 60 m3	T-Cell-3-E	317,66
HAAQR06B	6	Turbo Cell 95 m3	T-Cell-9-E	415,40
HAAQR06C	6	Turbo Cell 150 m3	T-Cell-15-E	610,89
HAAQR06D	6	Turbo Cell O-Rings	GlX-Union-Oring	67,44
HAAQR07	7	Water Cell	GlX-Sd-Flow	344,05
HAAQR08	8	Orp probe	GlX-Probe-Orp	253,15
HAAQR09	9	Ph Probe	GlX-Probe-Ph	253,15
HAAQR10	10	Sense & Dispense Module	GlX-Sd-Emod-E	476,98
HAAQR11		Winterizing Kit For Sense & Dispense	GLX-WINTERKIT-E	63,53
HAAQR12		Union + lock nut	GLX-Cell-Union-E	29,71

Seko Pool Basic



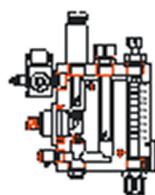
Ref LMP	Item	Description	Manuf Code	Retail Price
SEKPB01A	1A	Replace hose	9900090057	13,16
SEKPB01B	1B	Replace wheel	9900151024	7,24
SEKPB01C	1C	Transparent cover	0000064030	4,21
SEKPB02	2	Suction hose / meter	CR0406	0,56
SEKPB03	3	Injection hose / meter	ALE0406	1,13
SEKPB04	4	Reduction for injection valve	0000126014	7,14
SEKPB05	5	Suction filter	9900069028	18,80
SEKPB06	6	Injection valve	9900071016	13,16
SEKPB07A	7A	Probe pH	9900105002	140,94
SEKPB07B	7B	Probe redox	9900105032	146,87
SEKPB08		Reduction for probe PSS3 (short)	9900103011	15,09
SEKPB08B	8B	Reduction for probe PSS4 (long)	9900106670	15,09
SEKPB09A	9A	Reduction 50 x 1/2"	C1435	See C1435 in our catalog
SEKPB09B	9B	Reduction 63 x 1/2"	C1436	See C1436 in our catalog
SEKPB10A	10A	Standard Solution set for pH	9900102005	15,09
SEKPB10B	10B	Standard Solution set for redox	9900102004	11,05
SEKPB11	11	Motor for pump	RICO 151005	65,81
SEKPB13	13	Hose 8x12mm / meter	CR0812	0,68
SEKPB14	14	Vanne 1/2" MF pour kit hydraulique Seko	VSA18S200	4,18
SEKPB15		Plug black for hose 8x12	9900107025	13,16

Seko Tekna 602 PH/RX

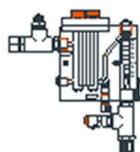


Ref LMP	Item	Description	Manuf Code	Retail Price
SEKAX01A	1	Corps complet - PP/Céramique	EM99106030	73,12
SEKAX01B	1	Corps complet - PVDF/Céramique	EM99106070	155,12
SEKAX02A	2	Boite à clapets PP Céramique	EM99070005	47,03
SEKAX02B	2	Boite à clapets Ref Céramique	EM99070011	138,19
SEKAX03A	3	Crépine PP - Céramique - FPM (3 pces)	9900107120	83,60
SEKAX03B	3	Crépine PVDF - Céramique - FPM (3 pces)	9900107149	150,88
SEKAX04A	4	Clapet d'injection PP - Céramique - FPM (5pces)	EM99106023	92,88
SEKAX04B	4	Clapet d'injection PVDF - Céramique - FPM (5pces)	EM99106090	279,21
SEKAX05	5	Membrane PTFE Tekna 602	EM00050002	21,93

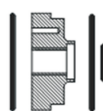
Seko Kontrol PC/PR



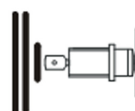
1A



1B



2



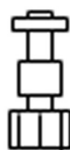
3



4



5A



5B



6



8



9



10



11

Ref LMP	Item	Description	Manuf Code	Retail Price
SEKKT01A	1	Porte sonde du type PSS-PC complet	9900103015	1604,03
SEKKT01B	1	Porte sonde du type PSS-PR complet	9900103013	912,17
SEKKT02	2	Electrode cuivre pour sonde ampero	RIC0151034	174,86
SEKKT03	3	Electrode platine pour sonde ampero	RIC0151025	816
SEKKT04	4	Porte sonde pvc-pss + joints	9900106670	19,62
SEKKT05A	5	Robinet de regulation de debit PC	RIC0151047	77,56
SEKKT05B	5	Robinet de regulation de debit PR	RIC0151048	51,00
SEKKT06	6	Electrovanne pss (230V 50Hz)	RIC0151046	338,43
SEKKT08	8	Kit billes de nettoyage	9900170019	24,77
SEKKT09	9	Cuve filtre	RIC0151073	21,86
SEKKT10A	10	Filtre 80µm	CRLNMN05080000	11,54
SEKKT10B	10	Filtre 20µm	CRLNMN05020000	11,54
SEKKT11	11	Etrier de fixation pour filtre	RIC0151072	27,69

Ecosmarte

Ref LMP	Item	Description	Manuf Code	Retail Price
ECOSM01		Titanium replacement electrodes (pair) 50 mm	ELECT-TI2/50M	278,38
ECOSM02		Titanium replacement electrodes (pair) 63 mm	ELECT-TI2/63M	361,90
ECOSM03		Copper replacement electrodes (pair) 50 mm	ELECT-CU2/50M	83,52
ECOSM04		Copper replacement electrodes (pair) 63 mm	ELECT-CU2/63M	102,94
ECOSM05		Adapter ABS 6/4» white	ADAPTER-1	9,95
ECOSM06		Adapter ABS 2» white	ADAPTER-2	12,41
ECOSM07		Chamber oxy-cu 50 mm	CHAM-D11/2 OXY-CU	597,96
ECOSM08		Chamber oxy-cu 63 mm	CHAM-D02 OXY-CU	751,64

Oxymatic

Ref LMP	Item	Description	Manuf Code	Retail Price
ECOSM09		Set of screw (2) Titanium		33,41
ECOSM10		Set of electrodes (2) in titanium of 9 cm	ELECT-TI/10	278,38
ECOSM11		Set of electrodes (2) in titanium of 15 cm	ELECT-TI/15	361,90
ECOSM12		Set of electrodes (2) in copper of 9 cm	ELECT-CU/10	102,94
ECOSM13		Set of electrodes (2) in copper of 15 cm	ELECT-CU/15	100,22
ECOSM14		Chamber indiv. Titanium, diam 63, L 9 cm	CHSG10TI-63MM	457,66
ECOSM15		Chamber indiv. Titanium, diam 63, L 15 cm	CHSG15TI-63MM	591,28
ECOSM16		Chamber indiv. Copper, diam 63, L 9 cm	CHSG10CU-63MM	223,82
ECOSM17		Chamber indiv. Copper, diam 63, L 15 cm	CHSG15CU-63MM	277,28
ECOSM18		Empty chamber 9cm/63mm	CV10	69,60
ECOSM19		Empty chamber 15cm/63mm	CV15	97,43

Lovibond Photometer reagents

Ref LMP	Item	Description	Manuf Code	Retail Price
TINTRE01		DPD n°1 box 100 test	511050BT	15,04
TINTRE02		DPD n°3 box 100 test	511080BT	10,58
TINTRE03		DPD n°4 box 100 test	511220BT	10,58
TINTRE04		PHENOL RED box 100 test	511770BT	10,58
TINTRE05		ALKA-m box 100 test	513210	30,08
TINTRE06		CALCIO H n°1 + CALCIO n°2 box 100 test	517761	34,08
TINTRE07		COPPER n°1 box 100 test	513550	38,78
TINTRE08		COPPER n°2 box 100 test	513560	19,98
TINTRE09		CYANURIC ACID box 100 test	511370BT	15,98

Lovibond Photometer accessories

Ref LMP	Item	Description	Manuf Code	Retail Price
TINTAC01		Set of 12 round vials with cap	197620	87,36
TINTAC02		Cleaning cloth for vials	197635	11,02
TINTAC03		Plastic Beaker 100 ml	384801	12,55
TINTAC04		Plastic stirring rod, 13 cm length	364100	3,10
TINTAC05		Cleaning Brush 10 cm	380230	5,78
TINTAC06		Syringue 5 ml	366120	4,94

Lovibond MicroDirect spares

Ref LMP	Item	Description	Manuf Code	Retail Price
TINTMD01		Replacement electrode MicroDirect Ph	194636	66,98
TINTMD02		Replacement electrode MicroDirect ORP	194666	117,75
TINTMD03		Replacement electrode MicroDirect TDS	194716	66,98
TINTMD04		Ph 4 Buffer solution red 90 ml NIST	721247	13,21
TINTMD05		Ph 7 Buffer solution yellow 90 ml NIST	721248	13,21
TINTMD06		Ph 10 Buffer solution blue 90 ml NIST	721249	13,21
TINTMD07		Redox-Calibration solution 470 mV 100 ml	195070	33,84
TINTMD08		TDS-Calibration solution 9,02 ppt 100 ml	467643	33,84

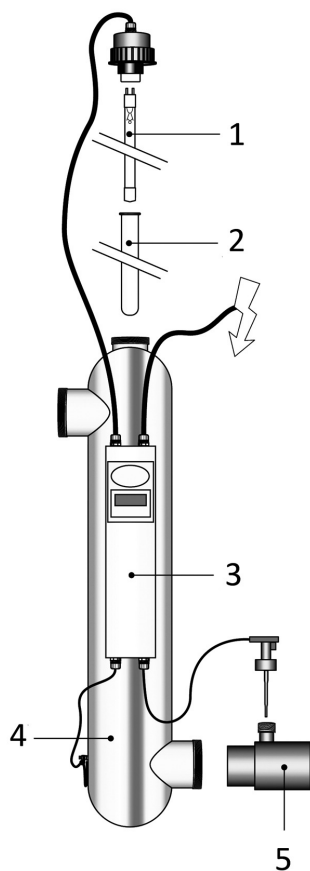
Hanna Instruments

Ref LMP	Item	Description	Manuf Code	Retail Price
HANNA01		5 standard solution pH4-pH7	HI77400P	27,97
HANNA02		5 standard solution TDS	HI70030P	41,13
HANNA03		éprouvettes sans capuchon (4)	HI731321	32,90
HANNA04		capuchons pour éprouvettes D5705* (4)	HI731325N	18,10
HANNA05		capuchons pour éprouvettes (4)	HI731325	18,10
HANNA06		bêchers 100 ml (10)	HI740036P	27,97
HANNA13		Solution REDOX 470 MV - 460 ml	HI7022L	37,84
HANNA14		Solution de pré-traitement réductrice - 460 ml	HI7091L	36,19
HANNA15		Solution de pré-traitement oxydante - 500 ml	HI7092L	36,19
HANNA17		Electrode PH pour testeur électronique	HI73127	95,42

Underhill Challenger Ionisator

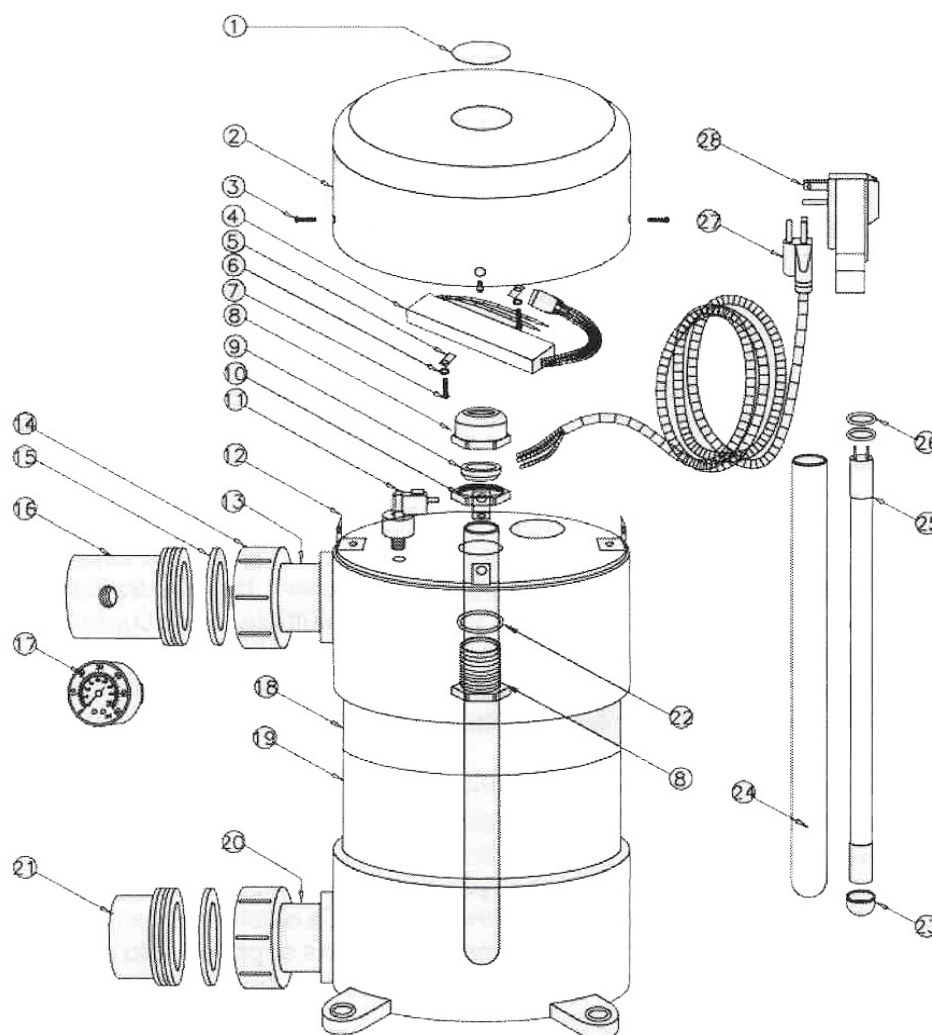
Ref LMP	Item	Description	Manuf Code	Retail Price
GLCHA01		Challenger Replacement Electrode		386,53
GLCHA01B		Challenger Replacement Electrode Recup		193,27
GLCHA02		Body Té		109,61
GLCHA03a		Cable for connection (old model-1 plug)		51,92
GLCHA03b		Cable for connection (new model-2 plugs)		51,92
GLCHA04		Transformer		144,23
GLCHA05		Printed circuit		432,68
GLCHA06		Plug		118,12
GLCHA07		Control box complete		602,87
GLCHA08		Plastic cover for control box		77,87
GLCHA09		Tool for lid opening		19,72

Van Erp Blue Lagoon UV-C Pro



Ref LMP	Item	Description	Manuf Code	Retail Price
VEUVP01	1	Lamp TUV 36T5 HO 4P-SE(75W)	E800902	82,07
VEUVP02	2	Quartz glass sleeve UV-C Pro	B210017	44,42
VEUVP03	3	Electrical part for Blue Lagoon Pro 75W incl. Flow switch	B214012	221,86
VEUVP04	4	Housing for Blue Lagoon Pro	B212005	804,48
VEUVP05	5	Reduction piece 63/63 3/4» screw thread for flow switch	B290020	11,75

Delta UV



Ref LMP	Item	Description	Manuf Code	Retail Price
DELUV02		Electrical enclosure bonnet	86-02054	59,63
DELUV03		Set of screws (4) for bonnet	40-06005	0,19
DELUV04a		Ballast assembly ES10	70-10221	78,71
DELUV04b		Ballast assembly ES40	70-10222	95,00
DELUV08		Quartz tube acorn nut & holder	86-02411	7,13
DELUV09		Quartz tube copression gasket	44-02018	2,98
DELUV11		Pressure switch	70-02305	19,16
DELUV10		Nut lock 1» black	40-50051	1,87
DELUV14		Union nut 2» each	86-02335	15,73
DELUV15		Flat o-ring 2» each	44-02335	3,83
DELUV16		Union tail piece 2» tapped	86-02402	8,43
DELUV17		Pressure gauge	84-82234	15,73
DELUV18		Tank label	48-02225	7,83
DELUV21		Union tail piece 2»	86-02352	6,39
DELUV22		O ring 125 - epdm	44-02212	0,09
DELUV23		Bulb cushion	44-02019	3,58
DELUV24a		Quartz tube ES10	58-50310	46,35
DELUV24b		Quartz tube ES40	58-50340	76,65
DELUV25a		UV bulb ES10	70-18410	83,42
DELUV25b		UV bulb ES40	70-18440	123,95
DELUV26		O-ring Viton each	44-02221	0,40
DELUV27		Cord 18/3x96»	64-02002	7,64

Bio UV

Ref LMP	Item	Description	Manuf Code	Retail Price
BIOUV04A		Ballast for UV20	BAL000025	141,15
BIOUV04B		Ballast for UV30-40	BAL000026	153,08
BIOUV24A		Quartz tube for UV20	QUA000017	113,26
BIOUV24B		Quartz tube for UV30	QUA000018	136,68
BIOUV24C		Quartz tube for UV40	QUA000019	171,81
BIOUV25A		UV bulb 55W for UV20	LPE000004	116,67
BIOUV25B		UV bulb 87W for UV30	LPE000005	129,45
BIOUV25C		UV bulb 105W for UV40	LPE000006	165

Unipool Liner

Ref LMP	Item	Description	Manuf Code	Retail Price
UNILI01		Liner round diam 4,20 x 1,20 m	10426	nc
UNILI02		Liner round diam 5,00 x 1,20 m	10506	nc
UNILI03		Liner round diam 6,00 x 1,20 m	10606	nc
UNILI04		Liner round diam 7,00 x 1,20 m	10706	nc
UNILI05		Liner oval 3,50 x 7,50 x 1,20 m	11356	nc
UNILI06		Liner oval 4,20 x 8,20 x 1,20 m	11426	nc
UNILI07		Liner oval 5,00 x 9,00 x 1,20 m	11506	nc
UNILI08		Liner oval 5,00 x 10,30 x 1,20 m	11516	nc
UNILI09		Liner oval 4,20 x 8,20 x 1,50 m	11427	nc
UNILI10		Liner oval 5,00 x 9,00 x 1,50 m	11507	nc
UNILI11		Liner oval 5,00 x 10,30 x 1,50 m	11517	nc